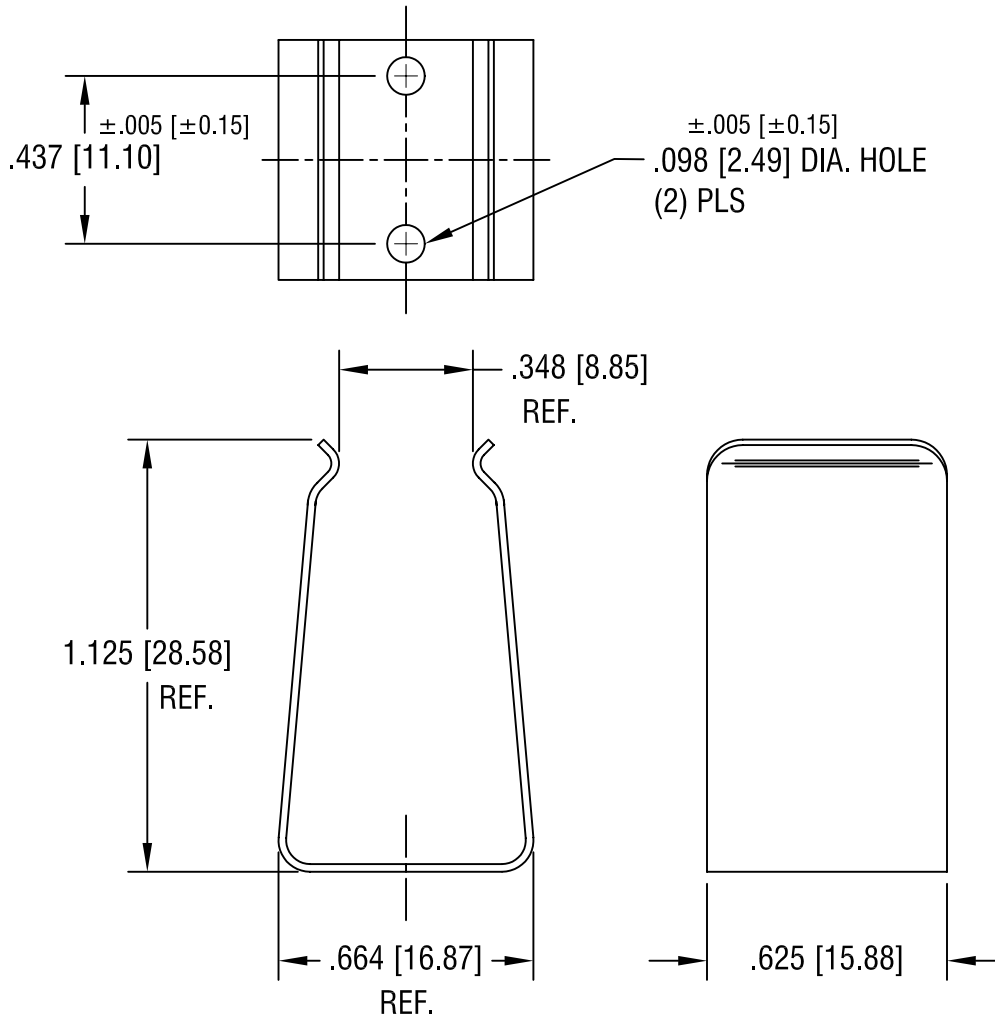


THIS DOCUMENT IS THE PROPERTY OF
KEYSTONE ELECTRONICS CORP. AND
SHALL NOT BE REPRODUCED, DISTRIBUTED
OR USED AS A BASIS FOR MANUFACTURE
WITHOUT PRIOR WRITTEN PERMISSION
FROM KEYSTONE ELECTRONICS CORP.



KEYSTONE ELECTRONICS CORP.

ASTORIA, N.Y. 11105-2017

PART NAME

'9' VOLT COMPONENT CLIP

MATERIAL

.020 [0.50] TH'K ALUMINUM 2024-T3

FINISH

-

DRN BY

BOONE

DATE

11.3.81

APPD

SCALE

2X

TOLERANCES

INCH [MM]

DECIMAL $\pm .010 [\pm 0.25]$

ANGULAR $\pm 1^\circ$

UNLESS OTHERWISE SPECIFIED

CODE

C

DWG NO.

95

10.3.97	CHANGE PER ECR 97-049	C
8.17.94	CHANGE PER ECR 94-040	B
11.15.82	REVISED	A
DATE	DESCRIPTION	REV.