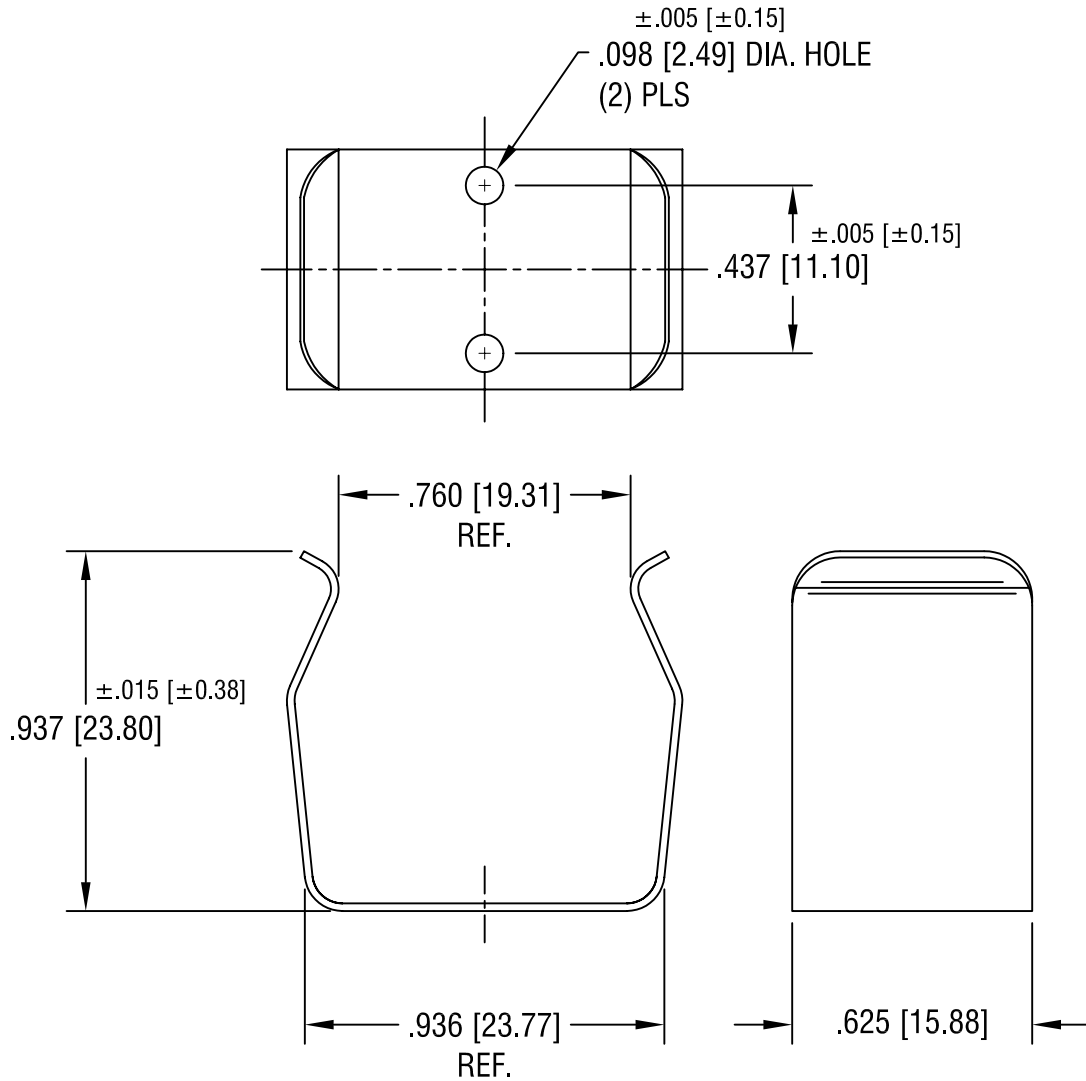


THIS DOCUMENT IS THE PROPERTY OF
KEYSTONE ELECTRONICS CORP. AND
SHALL NOT BE REPRODUCED, DISTRIBUTED
OR USED AS A BASIS FOR MANUFACTURE
WITHOUT PRIOR WRITTEN PERMISSION
FROM KEYSTONE ELECTRONICS CORP.



2.22.02	CHANGE AS PER ECN 02-017	C
10.16.98	CHANGE AS PER ECR 98-073	B
10.3.97	CHANGE AS PER ECR 97-048	A
DATE	DESCRIPTION	REV.

KEYSTONE ELECTRONICS CORP.			
ASTORIA, N.Y. 11105-2017			
PART NAME			
'C' CELL CLIP			
MATERIAL			
.020 [0.50] TH'K ALUMINUM 2024-T3			
FINISH		DRN BY	DATE
-		BOONE	11.2.81
		APPD	SCALE
		LN	2X
TOLERANCES	INCH	[MM]	CODE
DECIMAL	$\pm .010$	[± 0.25]	C
ANGULAR	$\pm 1^\circ$		
UNLESS OTHERWISE SPECIFIED			
DWG NO.			93