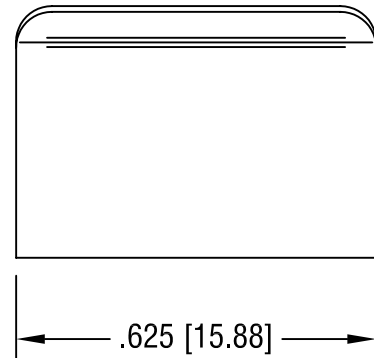
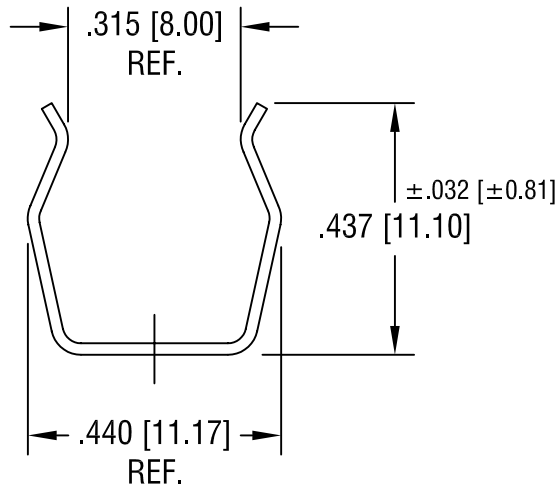
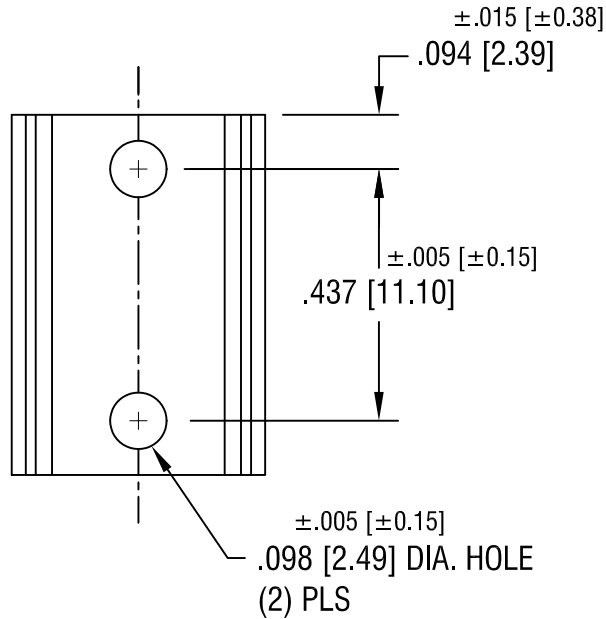


THIS DOCUMENT IS THE PROPERTY OF
KEYSTONE ELECTRONICS CORP. AND
SHALL NOT BE REPRODUCED, DISTRIBUTED
OR USED AS A BASIS FOR MANUFACTURE
WITHOUT PRIOR WRITTEN PERMISSION
FROM KEYSTONE ELECTRONICS CORP.



KEYSTONE ELECTRONICS CORP.

ASTORIA, N.Y. 11105-2017

PART NAME

'AAA' BATTERY CLIP

MATERIAL

.020 [0.50] TH'K ALUMINUM 2024-T3

FINISH

-

DRN BY

BOONE

DATE

10.30.81

APPD

SCALE

3X

TOLERANCES

INCH [MM]

DECIMAL ±.010 [±0.25]

ANGULAR ± 1°

UNLESS OTHERWISE SPECIFIED

CODE

C

DWG NO.

90

12.13.99 CHANGE AS PER ECN 99-103

B

4.21.94 CHANGE AS PER ECR 94-005

A

DATE

DESCRIPTION

REV.