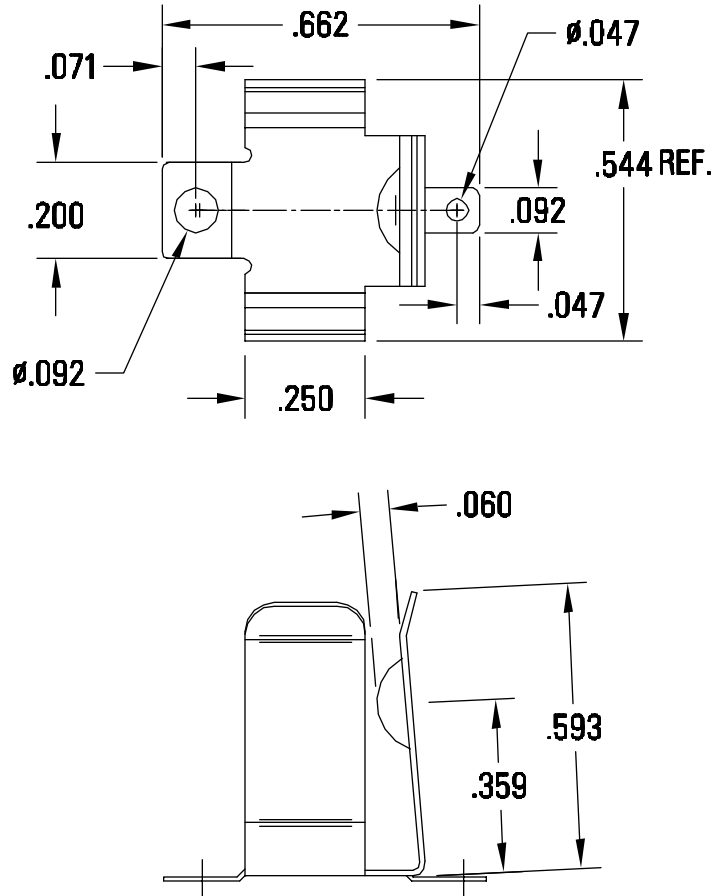
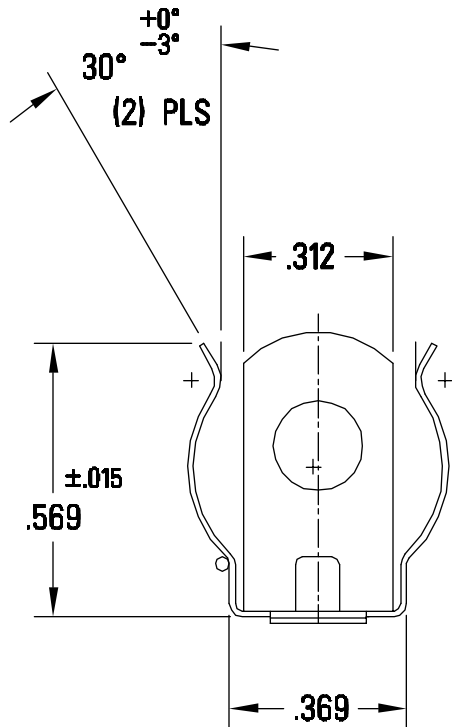


THIS DOCUMENT IS THE PROPERTY OF
KEYSTONE ELECTRONICS CORP. AND
SHALL NOT BE REPRODUCED, DISTRIBUTED
OR USED AS A BASIS FOR MANUFACTURE
WITHOUT PRIOR WRITTEN PERMISSION
FROM KEYSTONE ELECTRONICS CORP.



NOTE:

1. HEAT TREAT TO SPRING TEMPER
2. FINISH: DUPLEX NICKEL PLATE.

KEYSTONE ELECTRONICS CORP.			
ASTORIA, N.Y. 11105-2017			
PART NAME		BATTERY HOLDER	
MATERIAL			
.012 TH'K 1050 ANNEALED SPRING STEEL			
FINISH		DRN BY	DATE
AS NOTED		LARRY	7/1/02
		APP'D	SCALE
			2.5X
TOLERANCES	INCH	IMM]	CODE
DECIMAL	±.010	[±]	C
ANGULAR	± 1°		
UNLESS OTHERWISE SPECIFIED			DWG NO.
			9-92-SM

DATE	DESCRIPTION	REV.