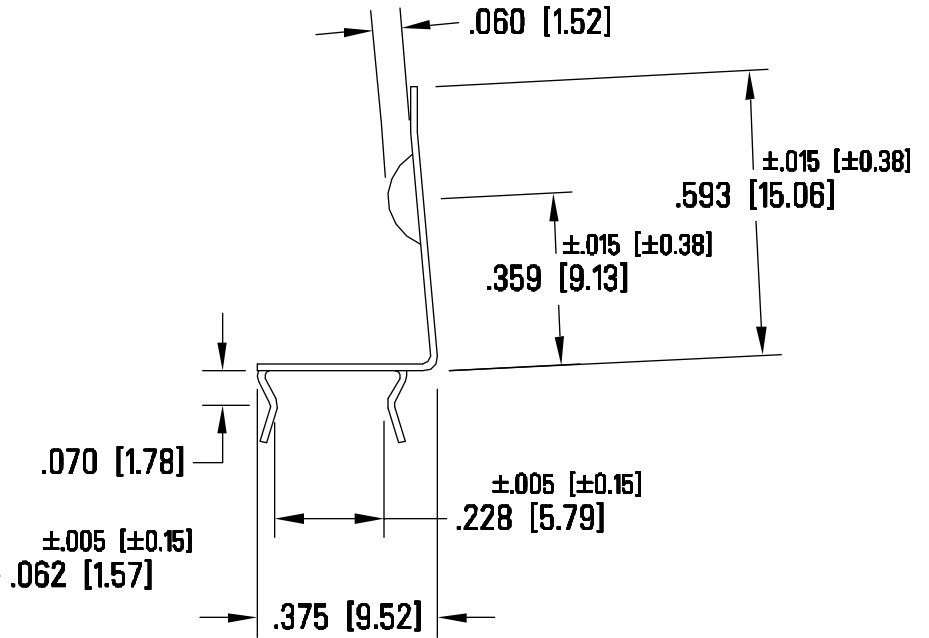
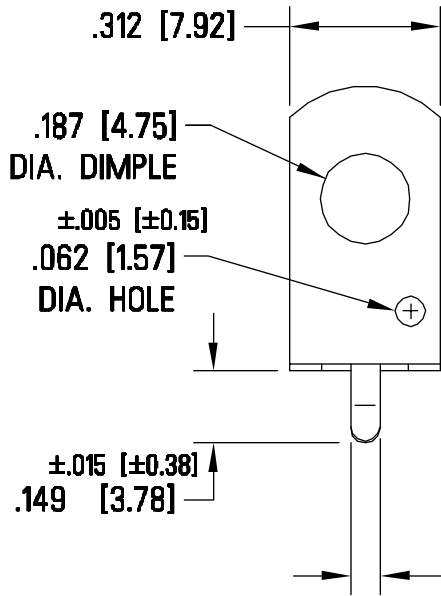
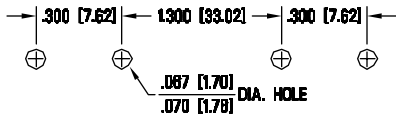


THIS DOCUMENT IS THE PROPERTY OF KEYSTONE ELECTRONICS CORP. AND SHALL NOT BE REPRODUCED, DISTRIBUTED OR USED AS A BASIS FOR MANUFACTURE WITHOUT PRIOR WRITTEN PERMISSION FROM KEYSTONE ELECTRONICS CORP.

REQUIRED SPACING FOR 'AA' CLIP



NOTE:

1. HEAT TREAT TO SPRING TEMPER.

KEYSTONE ELECTRONICS CORP.

ASTORIA, N.Y. 11105-2017

PART NAME

'A'-'AA' PC BATTERY CLIP

MATERIAL

.015 [.38] TH'K ANNEALED SPRING STEEL

FINISH

NICKEL PLATE

DRN BY

LARRY

DATE

9-2-99

APP'D

SCALE

2.5X

TOLERANCES

INCH [MM]
DECIMAL ±.010 [±.25]

ANGULAR ± 1/2°

UNLESS OTHERWISE SPECIFIED

CODE

C

DWG NO.

9-92-LS

DATE

DESCRIPTION

REV.