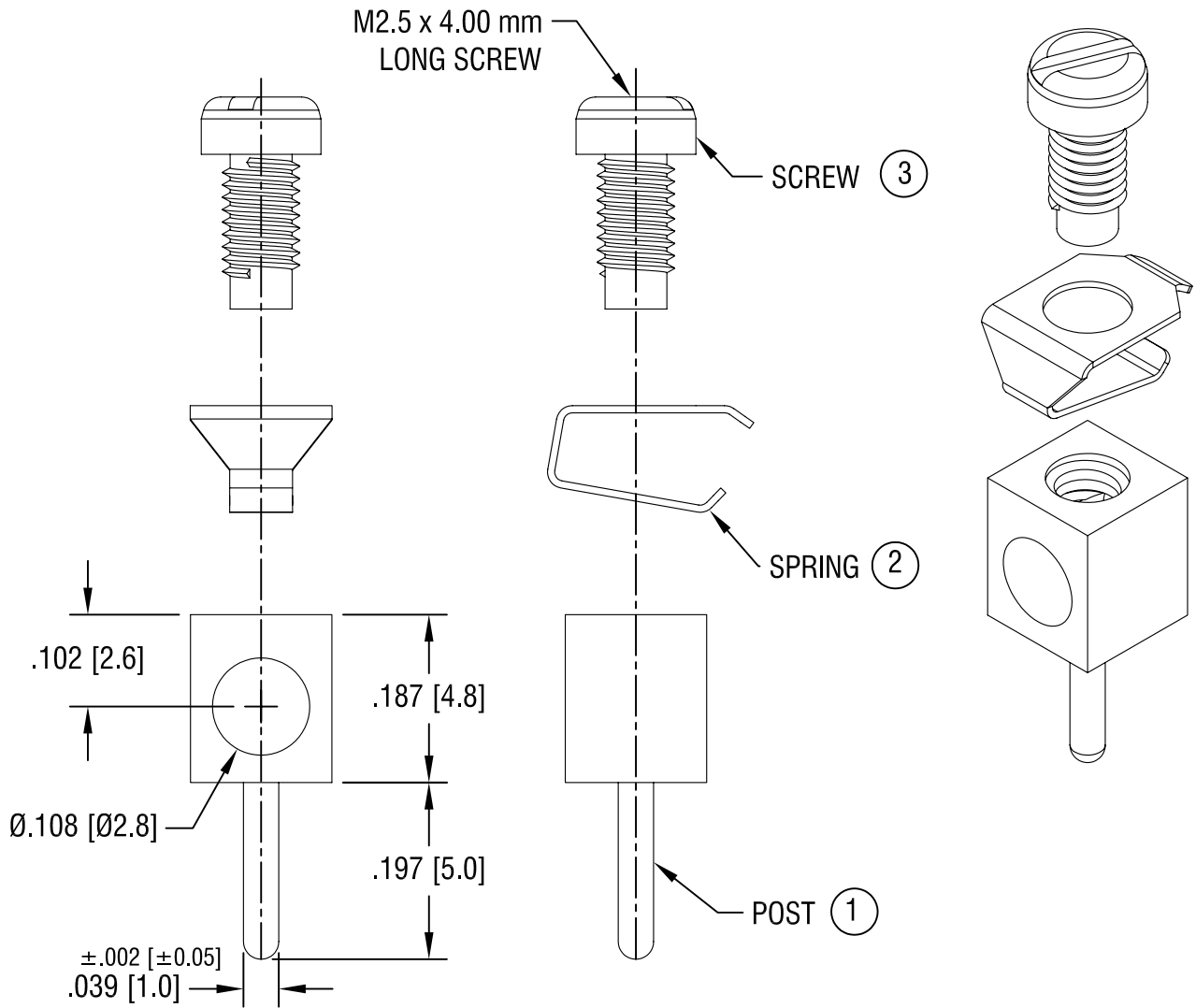


THIS DOCUMENT IS THE PROPERTY OF KEYSTONE ELECTRONICS CORP. AND SHALL NOT BE REPRODUCED, DISTRIBUTED OR USED AS A BASIS FOR MANUFACTURE WITHOUT PRIOR WRITTEN PERMISSION FROM KEYSTONE ELECTRONICS CORP.



ITEM	DESCRIPTION	MATERIAL/FINISH
1	POST	BRASS, TIN PLATE
2	SPRING	STAINLESS STEEL
3	SCREW	STEEL, ZINC PLATE

KEYSTONE ELECTRONICS CORP.

www.keyelco.com • ASTORIA, N.Y. 11105-2017 • Tel (718) 956-8900

PART NAME
MINIATURE BINDING POST

MATERIAL
AS NOTED

FINISH AS NOTED	DRN BY NT	DATE 3.12.08
	APP'D LN	SCALE 5X

TOLERANCES DECIMAL ANGULAR	INCH ± .005 ± 1°	[MM] [± 0.15]	CODE C/M	DWG NO. 9-8730-SPR
----------------------------------	------------------------	------------------	-------------	------------------------------

DATE	DESCRIPTION	REV.
------	-------------	------