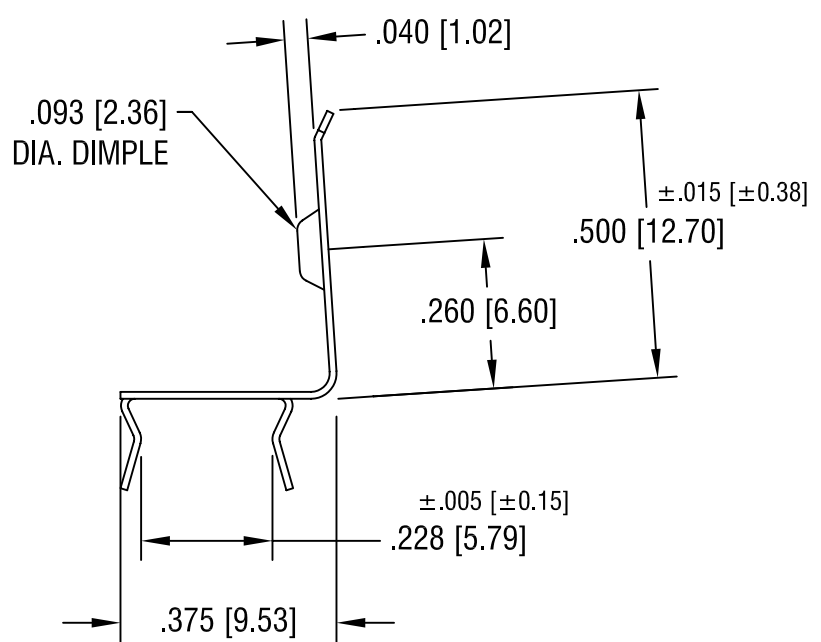
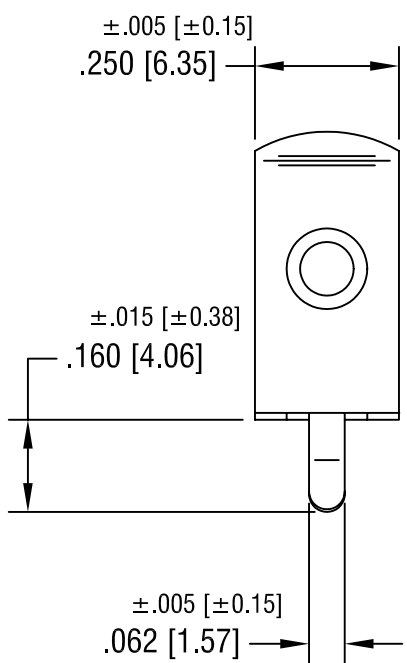
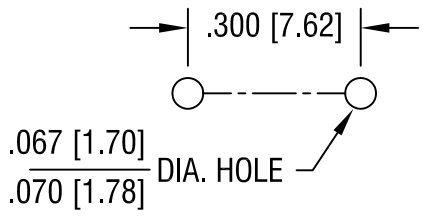


THIS DOCUMENT IS THE PROPERTY OF KEYSTONE ELECTRONICS CORP. AND SHALL NOT BE REPRODUCED, DISTRIBUTED OR USED AS A BASIS FOR MANUFACTURE WITHOUT PRIOR WRITTEN PERMISSION FROM KEYSTONE ELECTRONICS CORP.

MOUNTING DETAIL



NOTE:

1. HEAT TREAT TO SPRING TEMPER
2. FINISH: NICKEL PLATE OVER COPPER PLATE.

KEYSTONE ELECTRONICS CORP.			
ASTORIA, N.Y. 11105-2017			
PART NAME			
'AAA' & 'N' PC BATTERY CLIP			
MATERIAL			
.012 [0.30] THK STEEL			
FINISH		DRN BY	DATE
AS NOTED		BOONE	1.10.97
		APPD	SCALE
			3X
TOLERANCES	INCH	[MM]	CODE
DECIMAL	± .010	[± 0.25]	C
ANGULAR	± 1°		
UNLESS OTHERWISE SPECIFIED			DWG NO.
			9-82-TA

DATE	DESCRIPTION	REV.