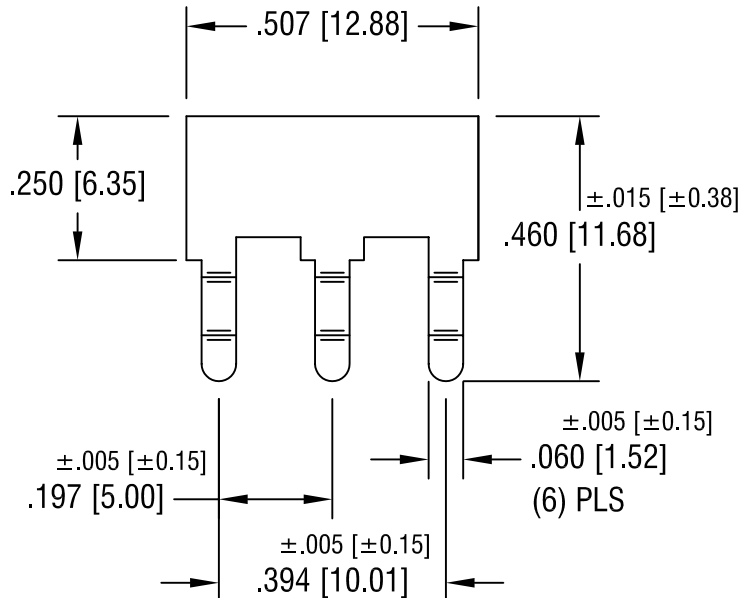
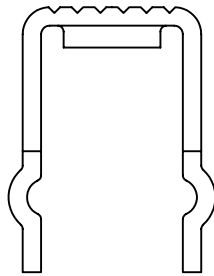
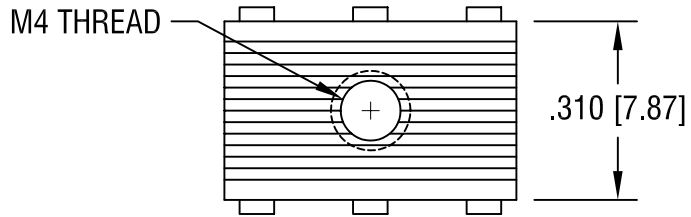
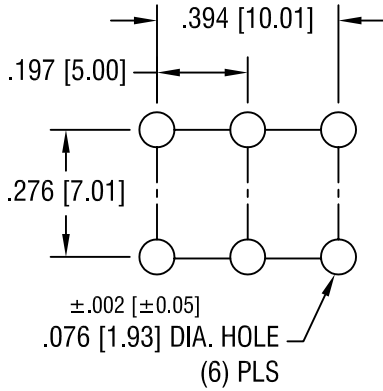


THIS DOCUMENT IS THE PROPERTY OF  
KEYSTONE ELECTRONICS CORP. AND  
SHALL NOT BE REPRODUCED, DISTRIBUTED  
OR USED AS A BASIS FOR MANUFACTURE  
WITHOUT PRIOR WRITTEN PERMISSION  
FROM KEYSTONE ELECTRONICS CORP.

**MOUNTING DETAIL**



**NOTE:**

- (1) ONE M4 x 1/4 L. SCREW SUPPLIED LOOSE.

**KEYSTONE ELECTRONICS CORP.**

ASTORIA, N.Y. 11105-2017

PART NAME				PC SCREW TERMINAL			
MATERIAL				.032 [0.81] TH'K BRASS			
FINISH			DRN BY		DATE		
TIN PLATE			BOONE		1/26/06		
			APP'D		SCALE		
					3X		
TOLERANCES		INCH [MM]		CODE		DWG NO.	
DECIMAL		±.010 [±0.25]		C		9-8197-4	
ANGULAR		± 1°					
UNLESS OTHERWISE SPECIFIED							

DATE	DESCRIPTION	REV.
		A