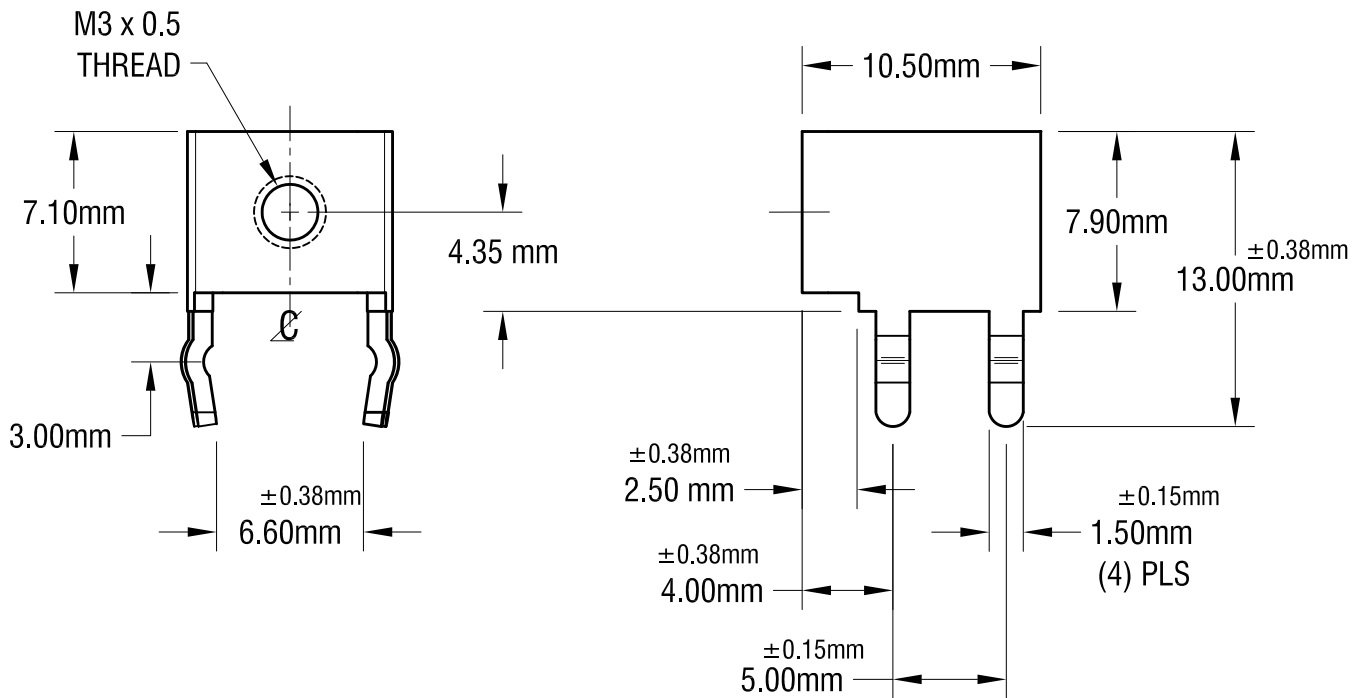
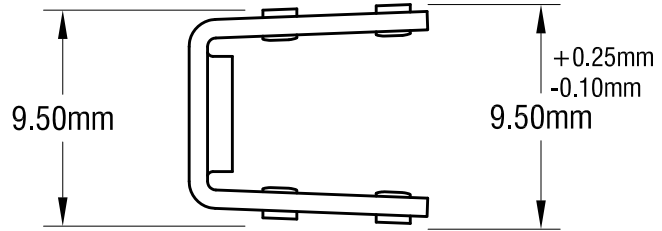
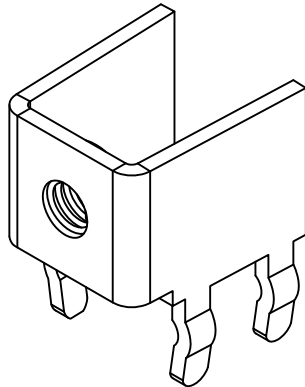


THIS DOCUMENT IS THE PROPERTY OF
KEYSTONE ELECTRONICS CORP. AND
SHALL NOT BE REPRODUCED, DISTRIBUTED
OR USED AS A BASIS FOR MANUFACTURE
WITHOUT PRIOR WRITTEN PERMISSION
FROM KEYSTONE ELECTRONICS CORP.



NOTE:

1. ALL DIMENSIONS ARE IN MILLIMETERS.

| | | | |
|---|------|-------------------|---------|
| KEYSTONE ELECTRONICS CORP. | | | |
| www.keyelco.com • ASTORIA, N.Y. 11105-2017 • Tel (718) 956-8900 | | | |
| PART NAME | | | |
| PC METRIC SCREW TERMINAL | | | |
| MATERIAL | | | |
| 0.8mm TH'K BRASS | | | |
| FINISH | | DRN BY | DATE |
| MATTE TIN PLATE | | NT | 6.30.11 |
| | | APP'D | SCALE |
| | | LN | 3X |
| TOLERANCES | INCH | [MM] | CODE |
| DECIMAL | ± | [± 0.25] | C |
| ANGULAR | ± 1° | | |
| UNLESS OTHERWISE SPECIFIED | | | |
| DWG NO. | | 9-7790-105 | |

| | | |
|------|-------------|------|
| DATE | DESCRIPTION | REV. |
| | | |