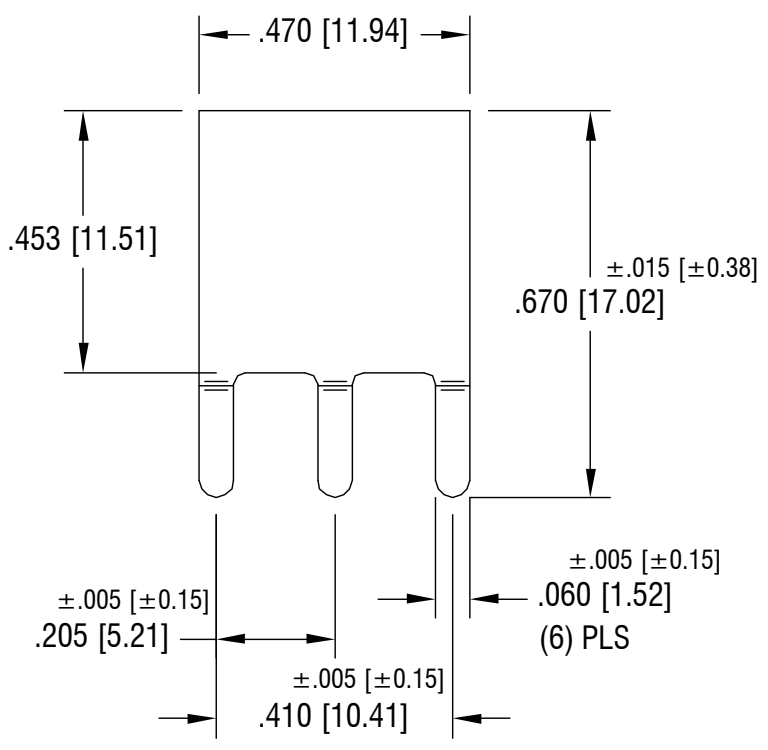
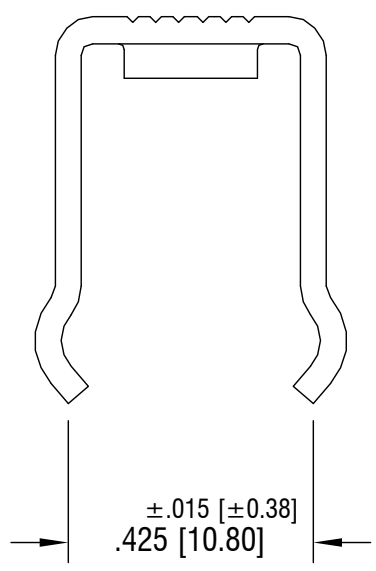
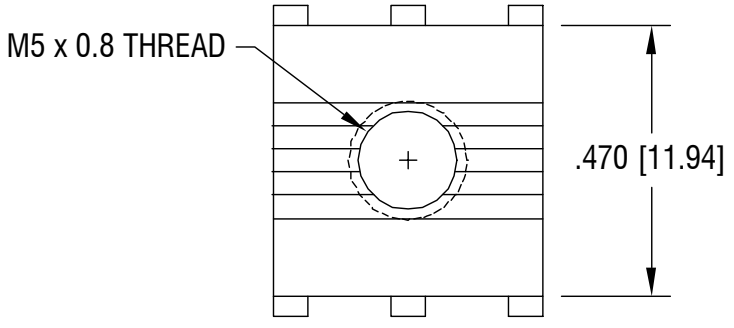
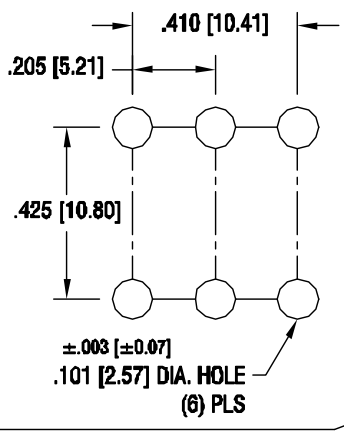


THIS DOCUMENT IS THE PROPERTY OF KEYSTONE ELECTRONICS CORP. AND SHALL NOT BE REPRODUCED, DISTRIBUTED OR USED AS A BASIS FOR MANUFACTURE WITHOUT PRIOR WRITTEN PERMISSION FROM KEYSTONE ELECTRONICS CORP.

MOUNTING DETAIL



KEYSTONE ELECTRONICS CORP.
ASTORIA, N.Y. 11105-2017

PART NAME		METRIC PC SCREW TERMINAL	
MATERIAL		.045 [1.14] TH'K BRASS	
FINISH		DRN BY	DATE
TIN PLATE		BOONE	9.3.03
		APP'D	SCALE
			3X
TOLERANCES	INCH	[MM]	CODE
DECIMAL	± .010	[± 0.25]	C
ANGULAR	± 1°		
UNLESS OTHERWISE SPECIFIED			DWG NO.
			9-7787-M5

DATE	DESCRIPTION	REV.
------	-------------	------