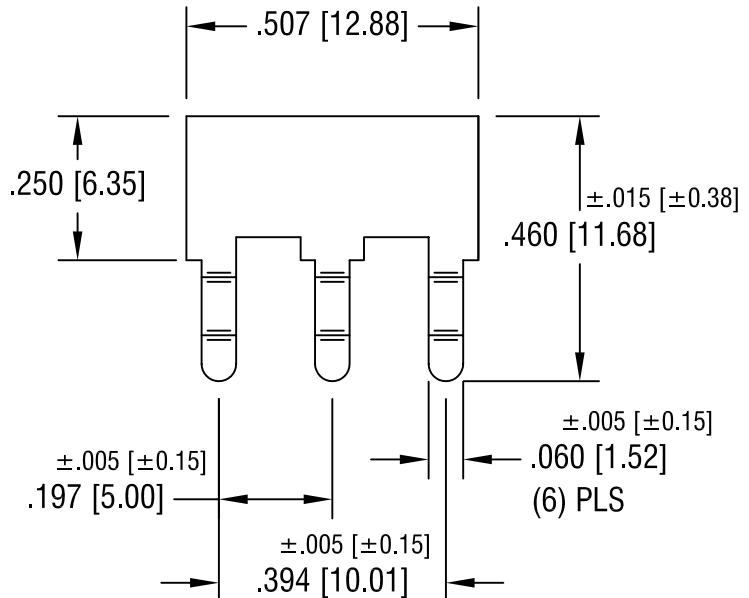
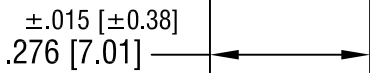
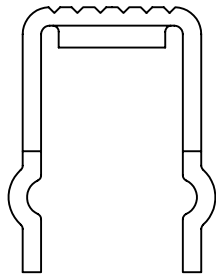
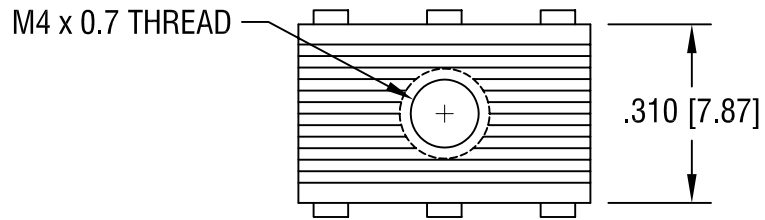
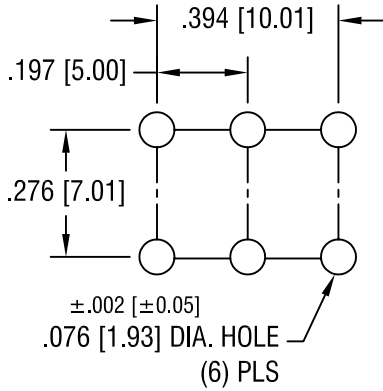


THIS DOCUMENT IS THE PROPERTY OF
KEYSTONE ELECTRONICS CORP. AND
SHALL NOT BE REPRODUCED, DISTRIBUTED
OR USED AS A BASIS FOR MANUFACTURE
WITHOUT PRIOR WRITTEN PERMISSION
FROM KEYSTONE ELECTRONICS CORP.

MOUNTING DETAIL



KEYSTONE ELECTRONICS CORP.

ASTORIA, N.Y. 11105-2017

| | | | |
|----------------------------|---------------|------------------------|-----------|
| PART NAME | | PC M4 SCREW TERMINAL | |
| MATERIAL | | .032 [0.81] TH'K BRASS | |
| FINISH | | DRN BY | DATE |
| TIN PLATE | | BOONE | 2.24.04 |
| | | APP'D | SCALE |
| | | | 3X |
| TOLERANCES | INCH [MM] | CODE | DWG NO. |
| DECIMAL | ±.010 [±0.25] | C | 9-7786-M4 |
| ANGULAR | ± 1° | | |
| UNLESS OTHERWISE SPECIFIED | | | |

| | | |
|------|-------------|------|
| DATE | DESCRIPTION | REV. |
|------|-------------|------|