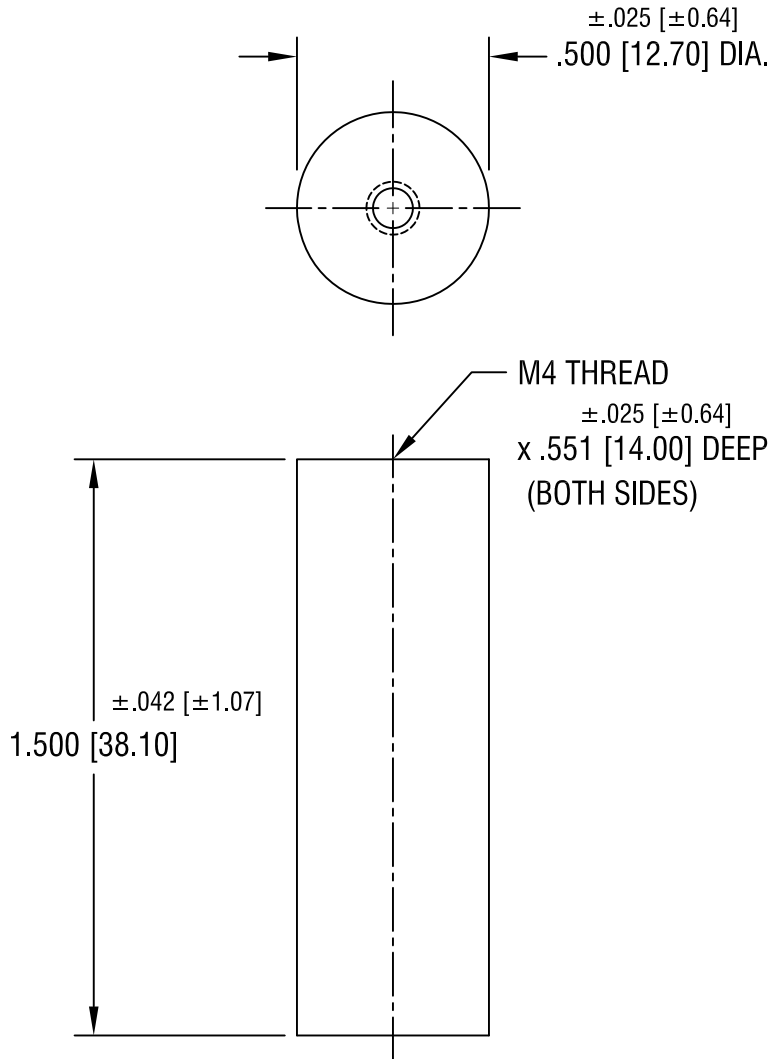


THIS DOCUMENT IS THE PROPERTY OF
KEYSTONE ELECTRONICS CORP. AND
SHALL NOT BE REPRODUCED, DISTRIBUTED
OR USED AS A BASIS FOR MANUFACTURE
WITHOUT PRIOR WRITTEN PERMISSION
FROM KEYSTONE ELECTRONICS CORP.



KEYSTONE ELECTRONICS CORP.

ASTORIA, N.Y. 11105-2017

PART NAME

CERAMIC STANDOFF

MATERIAL

GRADE L5 CERAMIC

FINISH

GLAZED

DRN BY

HAMILTON

DATE

4SEP12

APP'D

SCALE

2X

TOLERANCES

INCH

[MM]

CODE

DWG NO.

DECIMAL

$\pm .005$ [± 0.15]

C/M

ANGULAR

$\pm 1^\circ$

UNLESS OTHERWISE SPECIFIED

9-7717-M4

DATE

DESCRIPTION

REV.