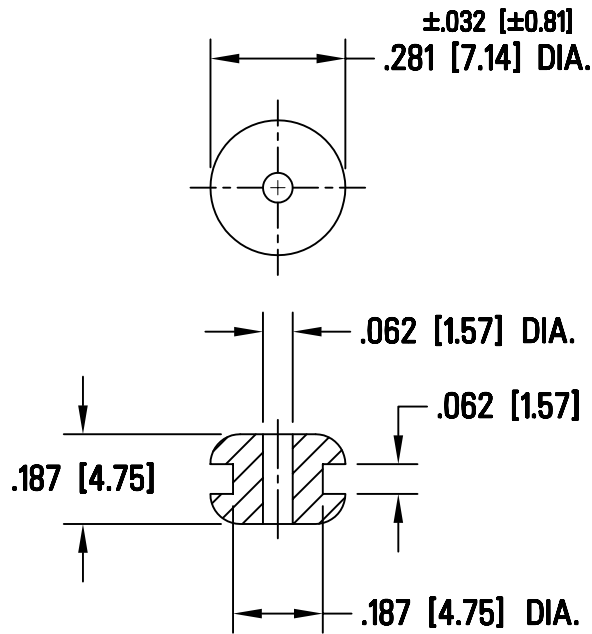


THIS DOCUMENT IS THE PROPERTY OF
KEYSTONE ELECTRONICS CORP. AND
SHALL NOT BE REPRODUCED, DISTRIBUTED
OR USED AS A BASIS FOR MANUFACTURE
WITHOUT PRIOR WRITTEN PERMISSION
FROM KEYSTONE ELECTRONICS CORP.



KEYSTONE ELECTRONICS CORP.			
ASTORIA, N.Y. 11105-2017			
PART NAME		RUBBER GROMMET	
MATERIAL		BUNA S	
FINISH	DRN BY	DATE	
-	BOONE	12.11.98	
	APP'D	SCALE	
		2.5X	
TOLERANCES	INCH	[MM]	CODE
DECIMAL	$\pm.020$	[$\pm.50$]	C
ANGULAR	$\pm 1/2^\circ$		DWG NO.
UNLESS OTHERWISE SPECIFIED			9-753-RAM

DATE	DESCRIPTION	REV.