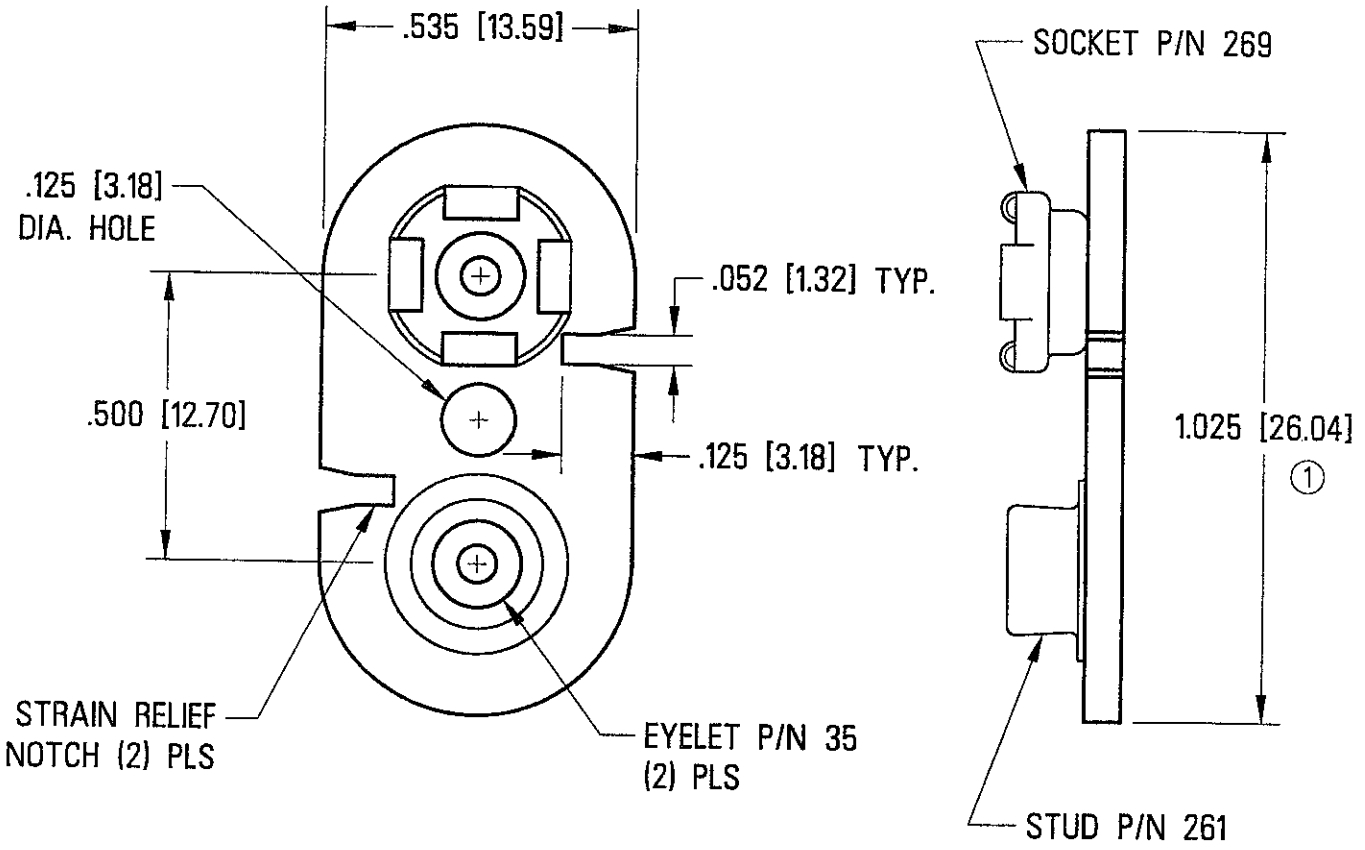


THIS DOCUMENT IS THE PROPERTY OF
 KEYSTONE ELECTRONICS CORP. AND
 SHALL NOT BE REPRODUCED, DISTRIBUTED
 OR USED AS A BASIS FOR MANUFACTURE
 WITHOUT PRIOR WRITTEN PERMISSION
 FROM KEYSTONE ELECTRONICS CORP.



NOTES:

- 1. BASE:
 MAT'L - .062 [1.57] TH'K FIBRE (FUNGUS PROOF)
- CONTACT:
 MAT'L - STEEL
 FINISH - NICKEL PLATE
- EYELET:
 MAT'L - BRASS
 FINISH - TIN PLATE

KEYSTONE ELECTRONICS CORP.			
ASTORIA, N.Y. 11105-2017			
PART NAME			
9V BATTERY CONNECTOR			
MATERIAL			
AS NOTED			
FINISH		DRN BY	DATE
AS NOTED		BOONE	10.15.81
		APP'D	SCALE
		<i>[Signature]</i>	3X
TOLERANCES	INCH [MM]	CODE	DWG NO.
DECIMAL	±.010 [±.25]	C/M	9-68-FUNGU
ANGULAR	± 1/2°		
UNLESS OTHERWISE SPECIFIED			

3.13.96	CHANGE PER ECR 96-011	B
6.2.84	(1) WAS 1.020	A
DATE	DESCRIPTION	REV.