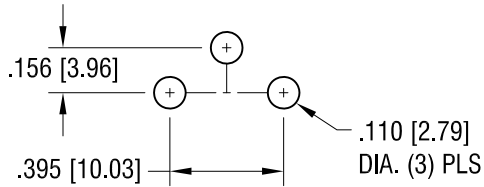
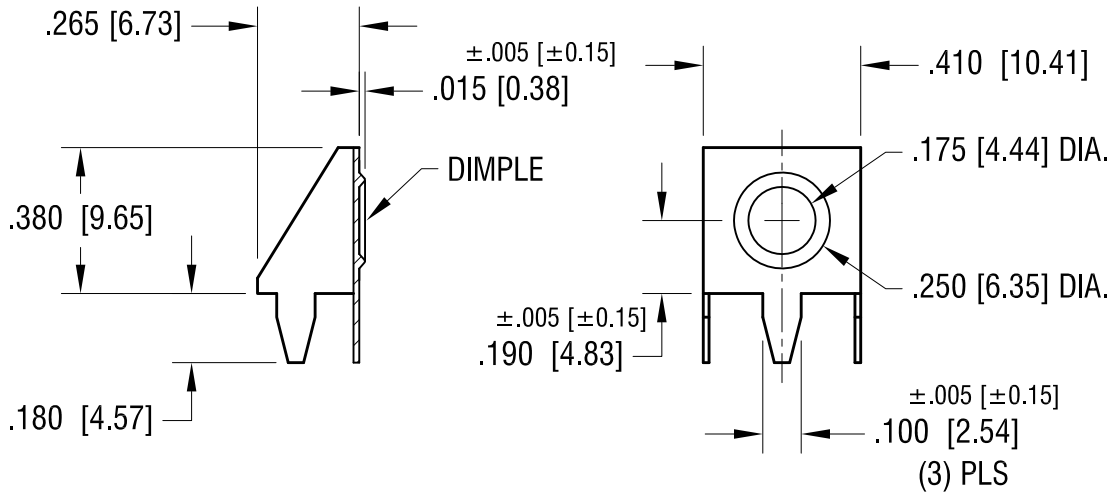
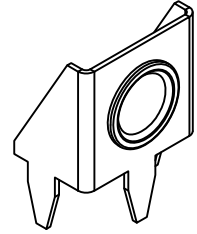


THIS DOCUMENT IS THE PROPERTY OF
KEYSTONE ELECTRONICS CORP. AND
SHALL NOT BE REPRODUCED, DISTRIBUTED
OR USED AS A BASIS FOR MANUFACTURE
WITHOUT PRIOR WRITTEN PERMISSION
FROM KEYSTONE ELECTRONICS CORP.



MOUNTING DETAIL



KEYSTONE ELECTRONICS CORP.

www.keyelco.com • ASTORIA, N.Y. 11105-2017 • Tel (718) 956-8900

PART NAME

'AA' 'AAA' 'N' SIZE PC BUTTON CONTACT

MATERIAL

.015 [0.38] TH'K STEEL

FINISH

TIN PLATE

DRN BY

NT

DATE

5.12.09

APP'D

LN

SCALE

2X

TOLERANCES

INCH [MM]

CODE

DWG NO.

DECIMAL ±.005 [±0.15]

C

ANGULAR ± 1°
UNLESS OTHERWISE SPECIFIED

9-637-TP

DATE

DESCRIPTION

REV.