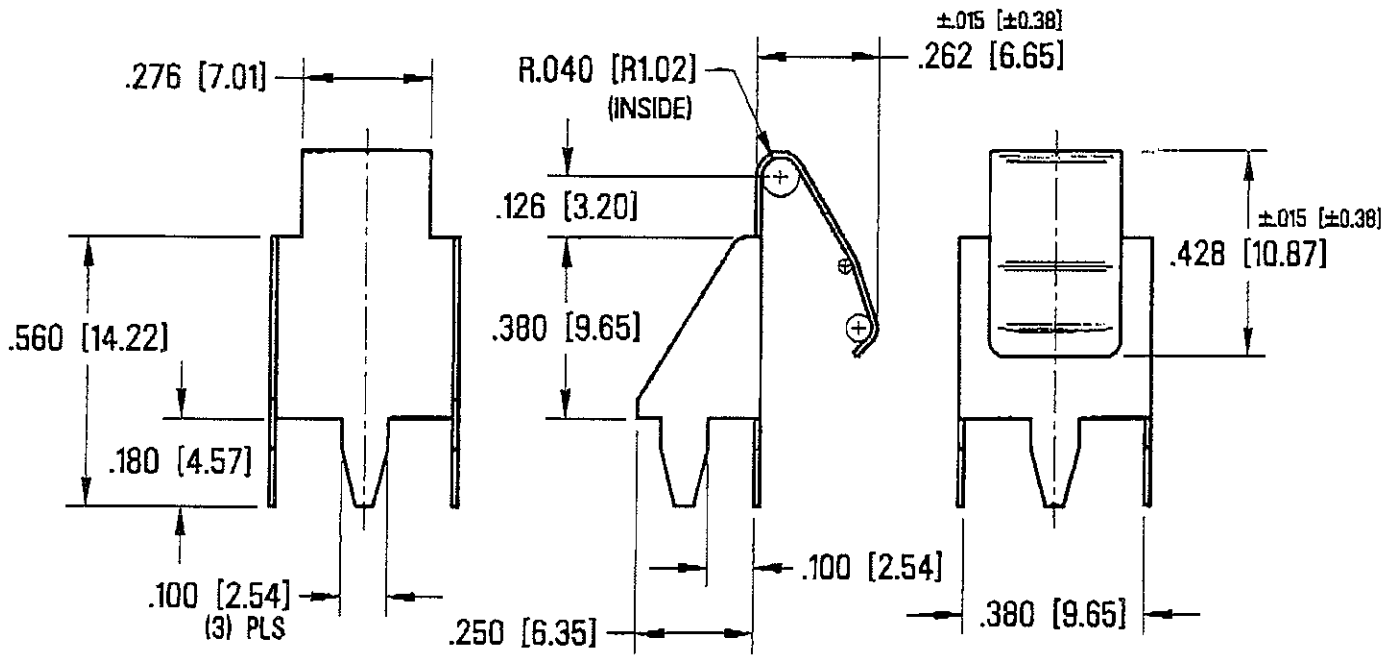


THIS DOCUMENT IS THE PROPERTY OF KEYSTONE ELECTRONICS CORP. AND SHALL NOT BE REPRODUCED, DISTRIBUTED OR USED AS A BASIS FOR MANUFACTURE WITHOUT PRIOR WRITTEN PERMISSION FROM KEYSTONE ELECTRONICS CORP.



NOTE:

- 1. HEAT TREAT TO SPRING TEMPER.

KEYSTONE ELECTRONICS CORP.			
ASTORIA, N.Y. 11105-2017			
PART NAME		PC BATTERY CONTACT	
MATERIAL			
.012 [.30] TH'K ANNEALED SPRING STEEL			
FINISH		DRN BY	DATE
NICKEL PLATE		BOONE	12.10.97
		APP'D	SCALE
		<i>[Signature]</i>	2.5X
TOLERANCES	INCH (MM)	CODE	DWG NO.
DECIMAL	±.005 [±0.15]	C	9-635-MEC
ANGULAR	± 1/2°		
UNLESS OTHERWISE SPECIFIED			

DATE	DESCRIPTION	REV.