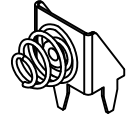
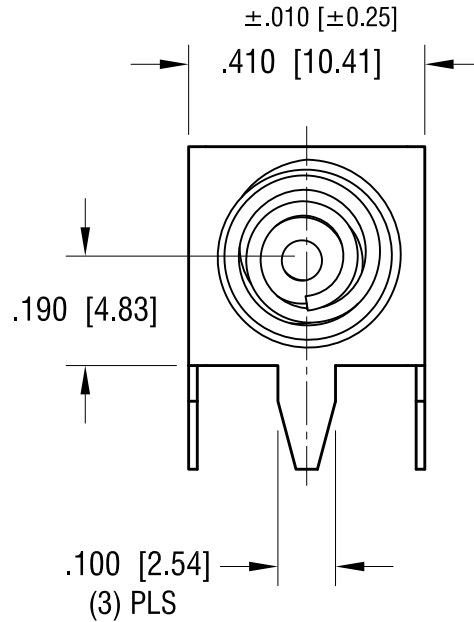
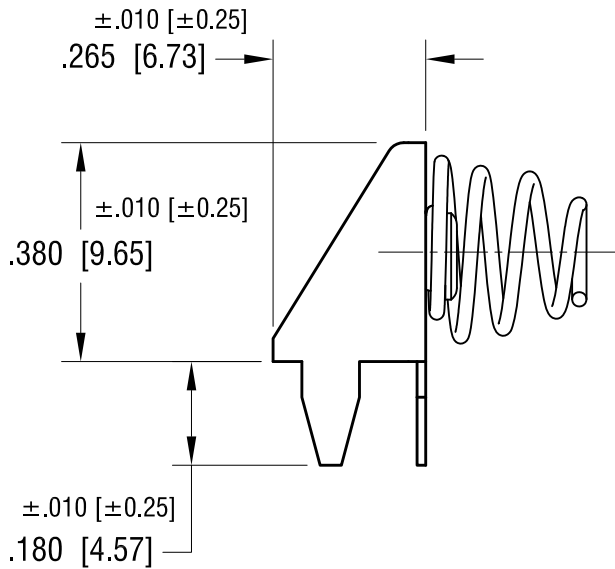
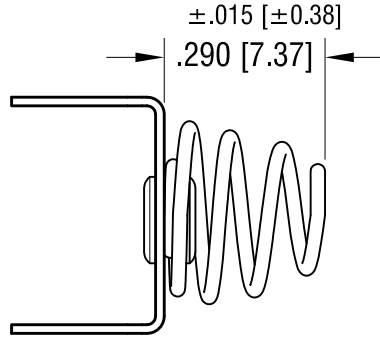
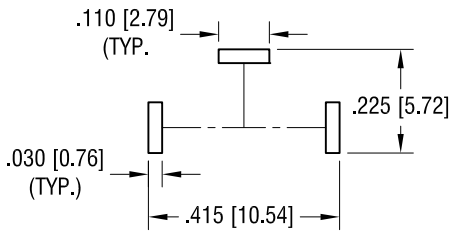


THIS DOCUMENT IS THE PROPERTY OF
KEYSTONE ELECTRONICS CORP. AND
SHALL NOT BE REPRODUCED, DISTRIBUTED
OR USED AS A BASIS FOR MANUFACTURE
WITHOUT PRIOR WRITTEN PERMISSION
FROM KEYSTONE ELECTRONICS CORP.

ACTUAL SIZE



MOUNTING DETAIL



NOTE:

1. BASE - MAT'L: .015 [0.38] TH'K STAINLESS STEEL
FINISH: NICKEL PLATE
2. SPRING - MAT'L: .025 [0.63] DIA. STAINLESS STEEL
FINISH: NONE

KEYSTONE ELECTRONICS CORP.

www.keyelco.com • ASTORIA, N.Y. 11105-2017 • Tel (718) 956-8900

PART NAME

'AA' 'AAA' 'N' SIZE PC SPRING CONTACT

MATERIAL

AS NOTED

FINISH

AS NOTED

DRN BY

NT

DATE

1.30.14

APP'D

LN

SCALE

3X

TOLERANCES

INCH [MM]

DECIMAL ±.005 [±0.13]

ANGULAR ± 1°
UNLESS OTHERWISE SPECIFIED

CODE

C

DWG NO.

9-629-SS-Ni

DATE

DESCRIPTION

REV.