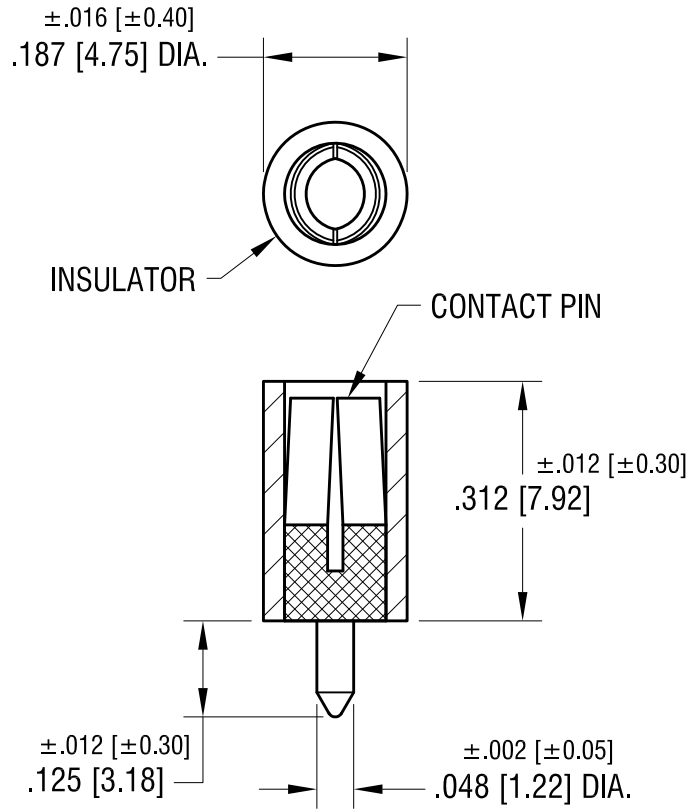


THIS DOCUMENT IS THE PROPERTY OF
KEYSTONE ELECTRONICS CORP. AND
SHALL NOT BE REPRODUCED, DISTRIBUTED
OR USED AS A BASIS FOR MANUFACTURE
WITHOUT PRIOR WRITTEN PERMISSION
FROM KEYSTONE ELECTRONICS CORP.



NOTES:

1. CONTACT PIN:
MAT'L - BRASS, TIN PLATE
INSULATOR:
MAT'L - NYLON 6/6 - RED
2. RATINGS:
CURRENT: 5 AMPS MAX.
OPERATING VOLTAGE: 1500 RMS
ADJACENT JACK CAPACITANCE:
1 pF MAX. @ 1 MHz

KEYSTONE ELECTRONICS CORP.			
www.keyelco.com • ASTORIA, N.Y. 11105-2017 • Tel (718) 956-8900			
PART NAME		VERTICAL PC TEST JACK	
MATERIAL		AS NOTED	
FINISH		DRN BY	DATE
AS NOTED		NT	12.16.13
		APP'D	SCALE
		LN	4X
TOLERANCES	INCH	[MM]	CODE
DECIMAL	$\pm .005$	[± 0.13]	C
ANGULAR	$\pm 1^\circ$		
UNLESS OTHERWISE SPECIFIED			DWG NO.
			9-6037-TP

DATE	DESCRIPTION	REV.