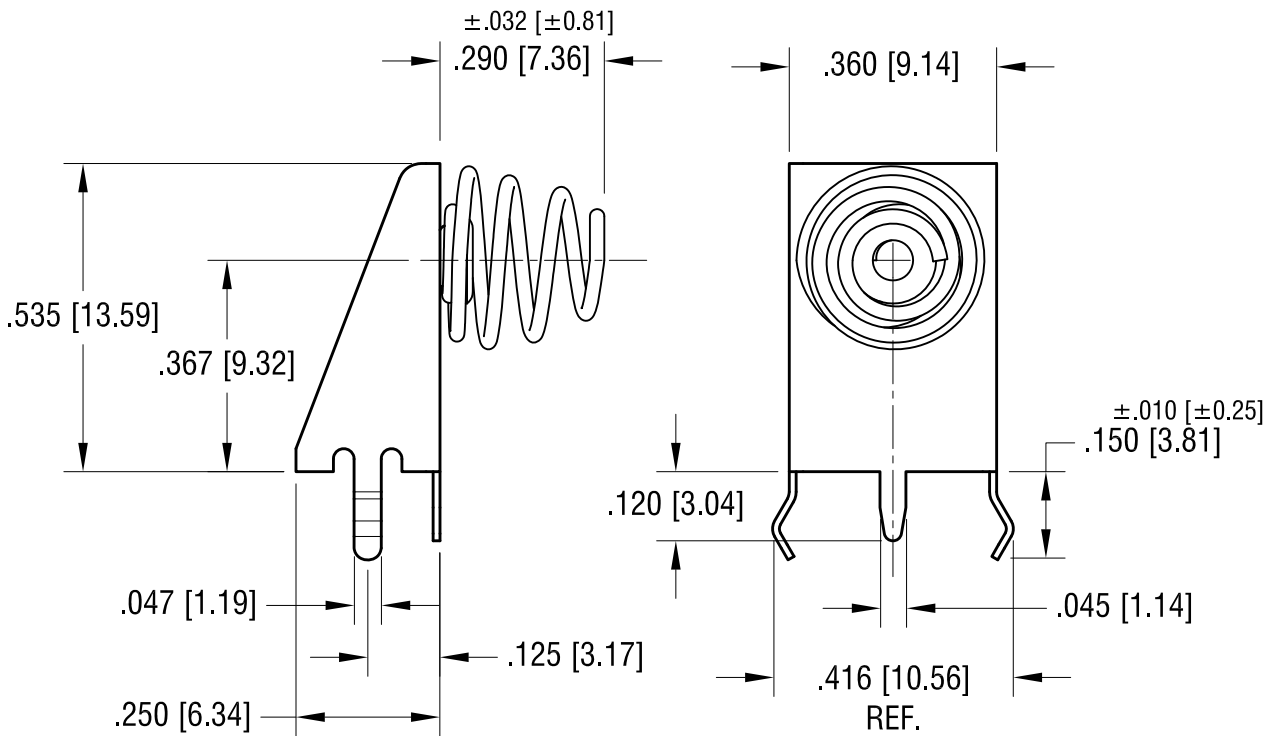
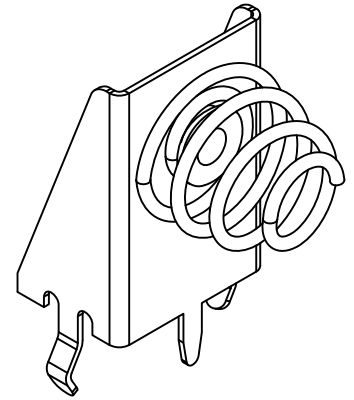
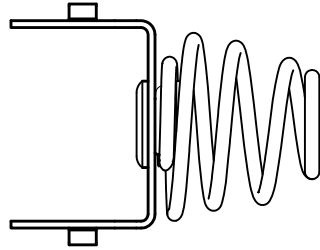


THIS DOCUMENT IS THE PROPERTY OF
KEYSTONE ELECTRONICS CORP. AND
SHALL NOT BE REPRODUCED, DISTRIBUTED
OR USED AS A BASIS FOR MANUFACTURE
WITHOUT PRIOR WRITTEN PERMISSION
FROM KEYSTONE ELECTRONICS CORP.



NOTE:

1. BODY: MAT'L- $.012$ [0.30] TH'K SPRING STEEL
FINISH: TIN PLATE
2. SPRING: MAT'L- $.025$ [0.63] DIA. MUSIC WIRE
FINISH: NICKEL PLATE

KEYSTONE ELECTRONICS CORP.

www.keyelco.com • ASTORIA, N.Y. 11105-2017 • Tel (718) 956-8900

PART NAME

'9V' 'AA' 'N' SNAP-IN SPRING CONTACT

MATERIAL

AS NOTED

FINISH

AS NOTED

DRN BY

NT

DATE

6.02.09

APP'D

LN

SCALE

3X

TOLERANCES

INCH [MM]

DECIMAL $\pm .005$ [± 0.15]

ANGULAR $\pm 1^\circ$
UNLESS OTHERWISE SPECIFIED

CODE

C

DWG NO.

9-590-211

DATE

DESCRIPTION

REV.