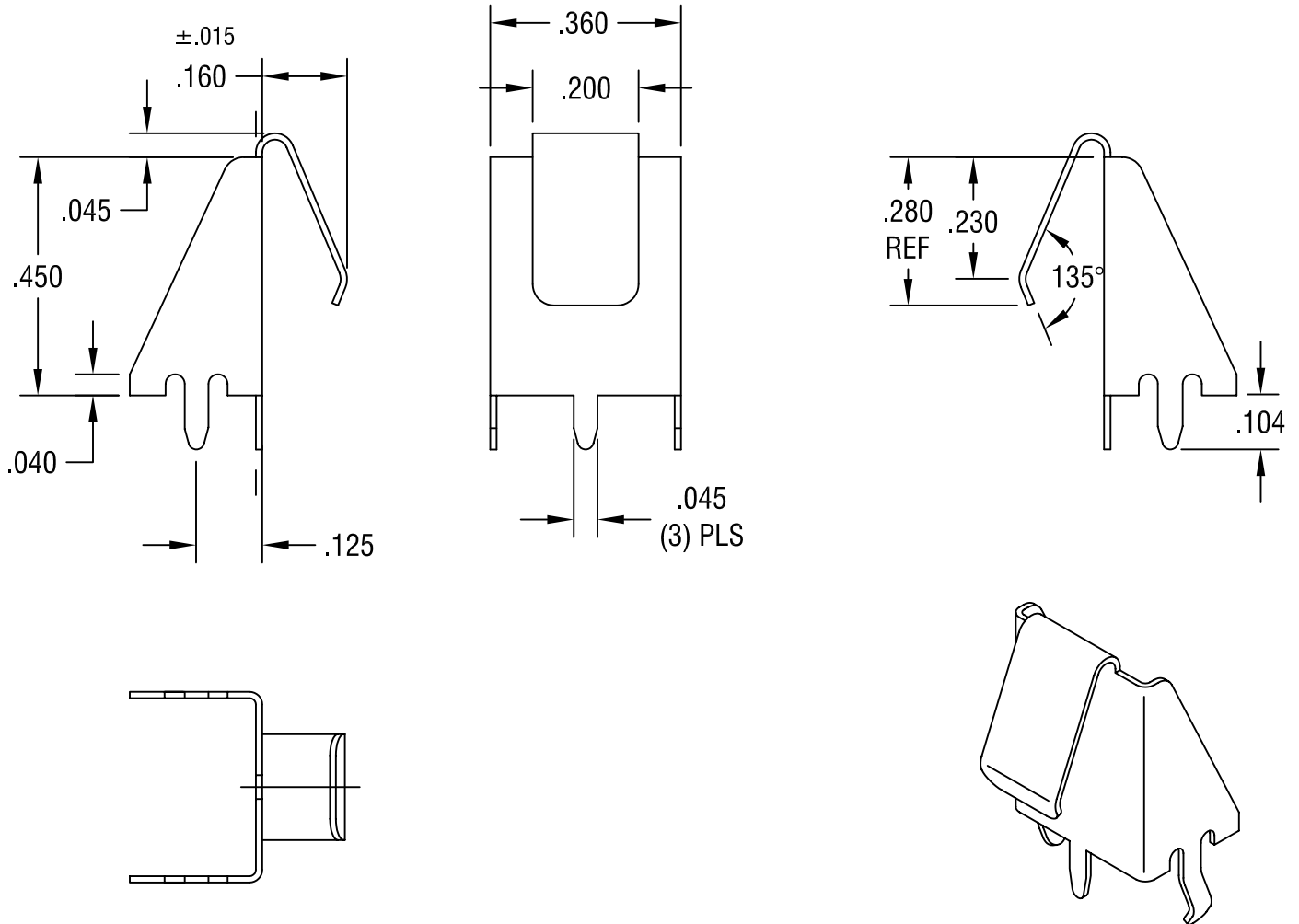


THIS DOCUMENT IS THE PROPERTY OF  
KEYSTONE ELECTRONICS CORP. AND  
SHALL NOT BE REPRODUCED, DISTRIBUTED  
OR USED AS A BASIS FOR MANUFACTURE  
WITHOUT PRIOR WRITTEN PERMISSION  
FROM KEYSTONE ELECTRONICS CORP.



**NOTE:**

1. FINISH: TIN NICKEL FLASH OVER NICKEL PLATE.
2. HEAT TREAT TO SPRING TEMPER

<b>KEYSTONE ELECTRONICS CORP.</b>			
ASTORIA, N.Y. 11105-2017			
PART NAME			
'9V' 'AA' 'N' SNAP-IN SPRING CONTACT			
MATERIAL			
.012 TH'K ANNEALED SPRING STEEL 1050			
FINISH		DRN BY	DATE
AS NOTED		BOONE	9/20/07
		APP'D	SCALE
			3X
TOLERANCES	INCH [MM]	CODE	DWG NO.
DECIMAL	± .005 [± ]	M	9-590-102
ANGULAR ± 1° UNLESS OTHERWISE SPECIFIED			

DATE	DESCRIPTION	REV.