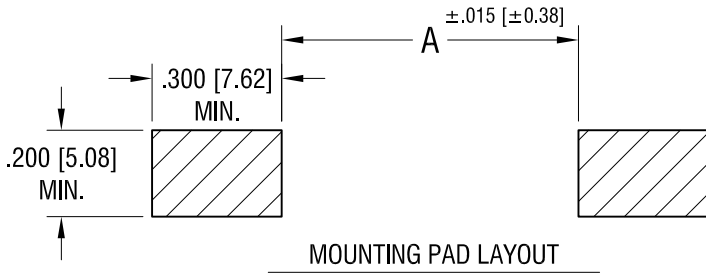
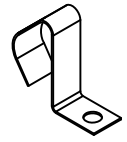


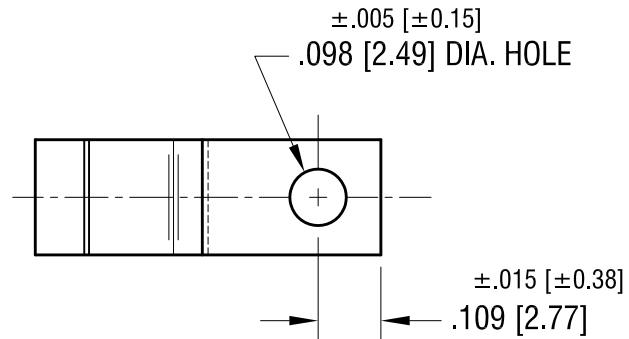
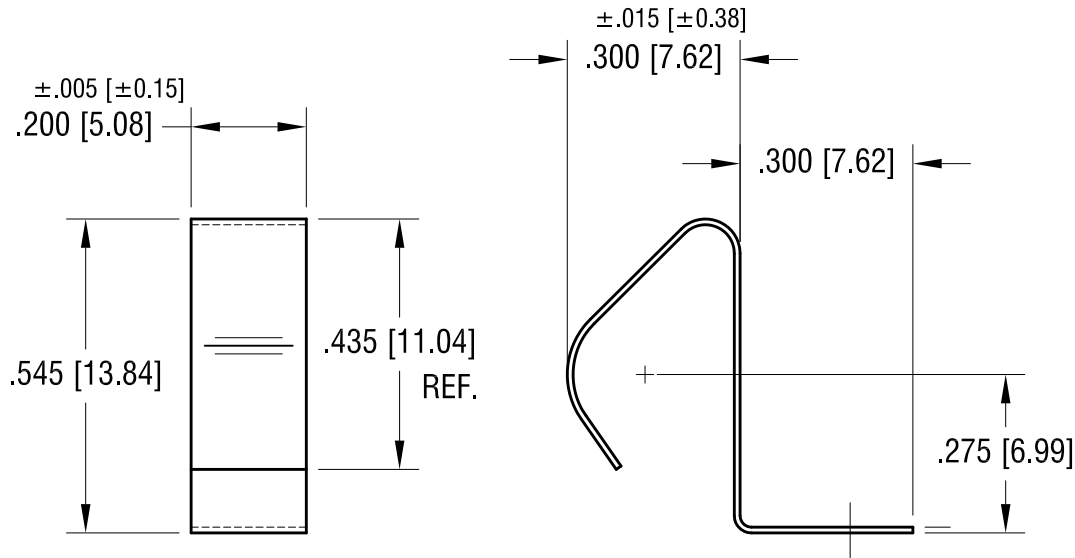
THIS DOCUMENT IS THE PROPERTY OF KEYSTONE ELECTRONICS CORP. AND SHALL NOT BE REPRODUCED, DISTRIBUTED OR USED AS A BASIS FOR MANUFACTURE WITHOUT PRIOR WRITTEN PERMISSION FROM KEYSTONE ELECTRONICS CORP.



FOR BATTERY SIZE:	'A' DIM.
A	2.170 [55.12]
AA	2.380 [60.45]



ACTUAL SIZE



NOTE:

1. HEAT TREAT TO SPRING TEMPER.

KEYSTONE ELECTRONICS CORP.			
www.keyelco.com • ASTORIA, N.Y. 11105-2017 • Tel (718) 956-8900			
PART NAME BATTERY CONTACT, SURFACE MOUNT			
MATERIAL .010 [.25] TH'K ANNEALED SPRING STEEL			
FINISH GOLD FLASH		DRN BY NT	DATE 3.25.13
		APP'D LN	SCALE 3X
TOLERANCES	INCH [MM]	CODE	DWG NO.
DECIMAL	± .010 [± 0.25]	C	9-5231-GF
ANGULAR ± 1°			
UNLESS OTHERWISE SPECIFIED			

DATE	DESCRIPTION	REV.