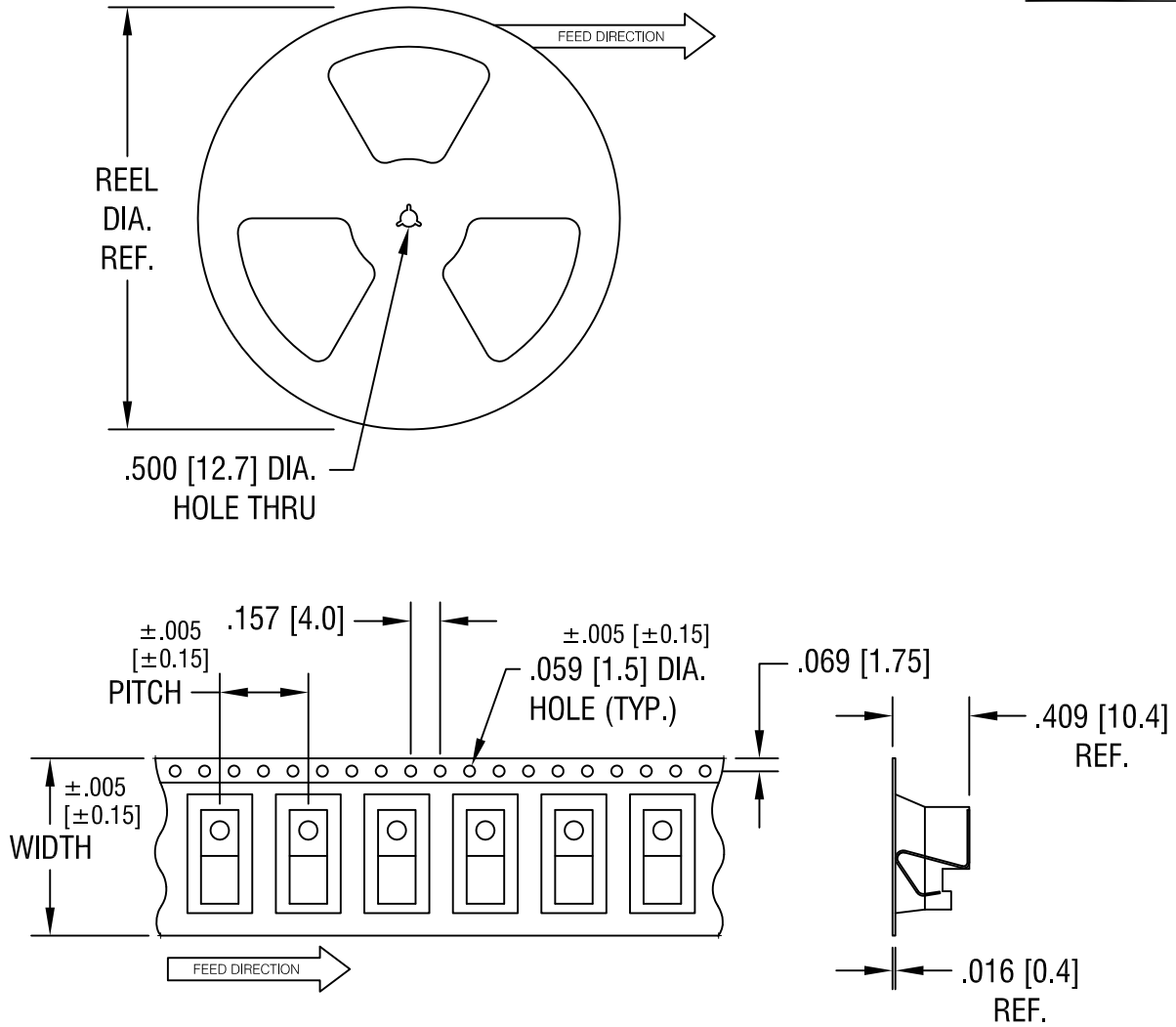


THIS DOCUMENT IS THE PROPERTY OF
KEYSTONE ELECTRONICS CORP. AND
SHALL NOT BE REPRODUCED, DISTRIBUTED
OR USED AS A BASIS FOR MANUFACTURE
WITHOUT PRIOR WRITTEN PERMISSION
FROM KEYSTONE ELECTRONICS CORP.



NOTES:

TAPE AND REEL SPECIFICATIONS:

1. TAPE:

MAT'L - ALL CONDUCTIVE POLYSTYRENE CARRIER

ANSI/EIA-481 STANDARD

.945 [24.0] WIDE; .472 [12.0] PITCH

2. REEL:

13.0 [330.2] DIA. 400 PIECES OF

PART NO. 9-5230-75 PER REEL.

KEYSTONE ELECTRONICS CORP.

ASTORIA, N.Y. 11105-2017

PART NAME

SM BATTERY CONTACT, ON TAPE

MATERIAL

.010 [0.25] TH'K ANNEALED SPEING STEEL

FINISH

TIN NICKEL PLATE

DRN BY

NT

DATE

6.02.09

APP'D

LN

SCALE

X

6.02.09

SPLIT C/M DRAWING TO 'C' & 'M'

A

TOLERANCES

INCH [MM]

CODE

DWG NO.

DECIMAL

± .015 [± 0.38]

C

9-5230-75TR

ANGULAR

± 1°

UNLESS OTHERWISE SPECIFIED

DATE

DESCRIPTION

REV.