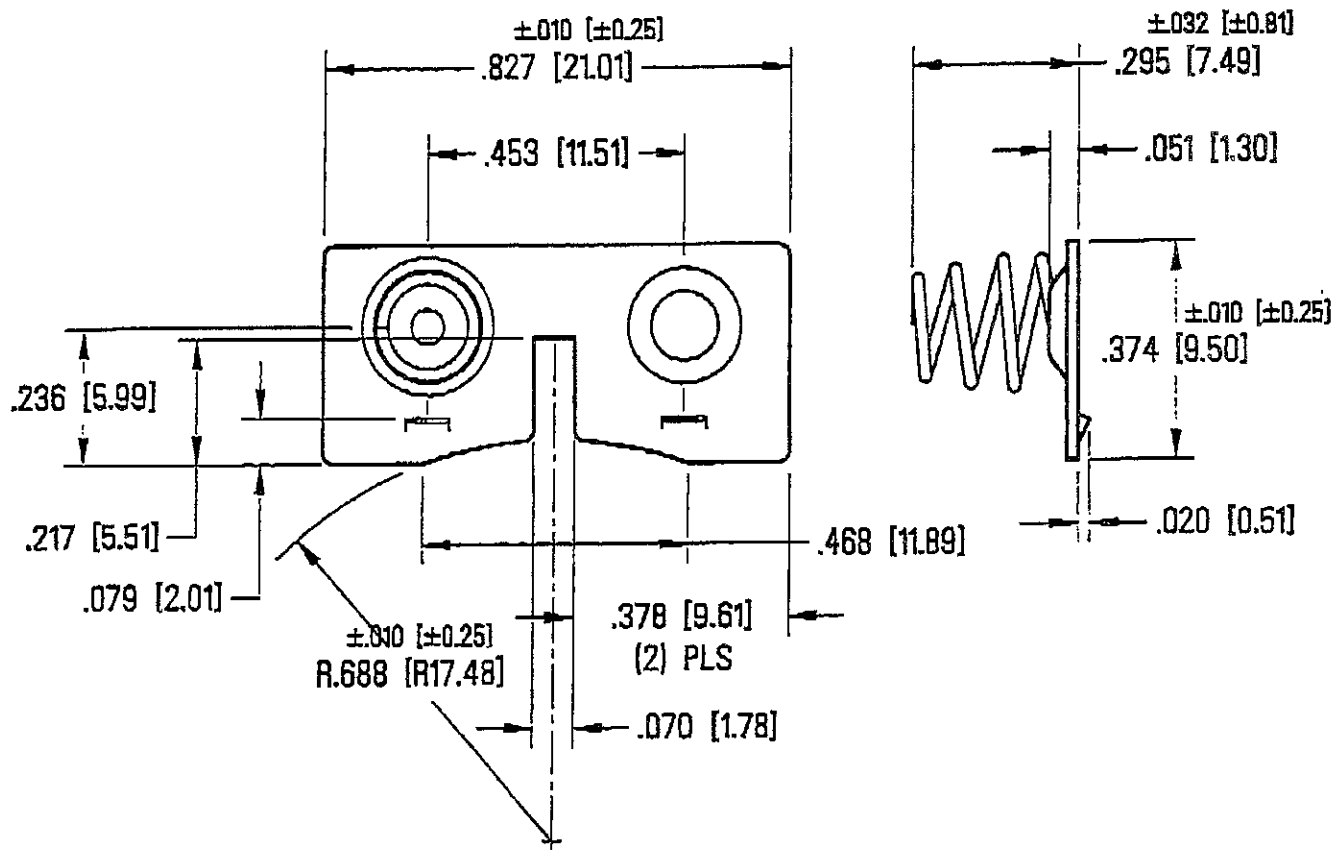


THIS DOCUMENT IS THE PROPERTY OF  
KEYSTONE ELECTRONICS CORP. AND  
SHALL NOT BE REPRODUCED, DISTRIBUTED  
OR USED AS A BASIS FOR MANUFACTURE  
WITHOUT PRIOR WRITTEN PERMISSION  
FROM KEYSTONE ELECTRONICS CORP.



NOTES:

1. BASE:  
MAT'L - .020 [0.50] TH'K STEEL  
BREAK ALL SHARP EDGES.
2. SPRING CONTACT:  
MAT'L - .020 [0.50] DIA.  
MUSIC WIRE

<b>KEYSTONE ELECTRONICS CORP.</b>			
ASTORIA, N.Y. 11105-2017			
PART NAME			
'AAA' & 'N' DUAL M/F BATTERY CONTACT			
MATERIAL			
AS NOTED			
FINISH		DRN BY	DATE
NICKEL PLATE		BOONE	12.9.98
		APP'D	SCALE
			3X
TOLERANCES	INCH (MM)	CODE	DWG NO.
DECIMAL	±.005 [±0.15]	C	9-5213-RAM
ANGULAR ± 1/2°			
UNLESS OTHERWISE SPECIFIED			

DATE	DESCRIPTION	REV.