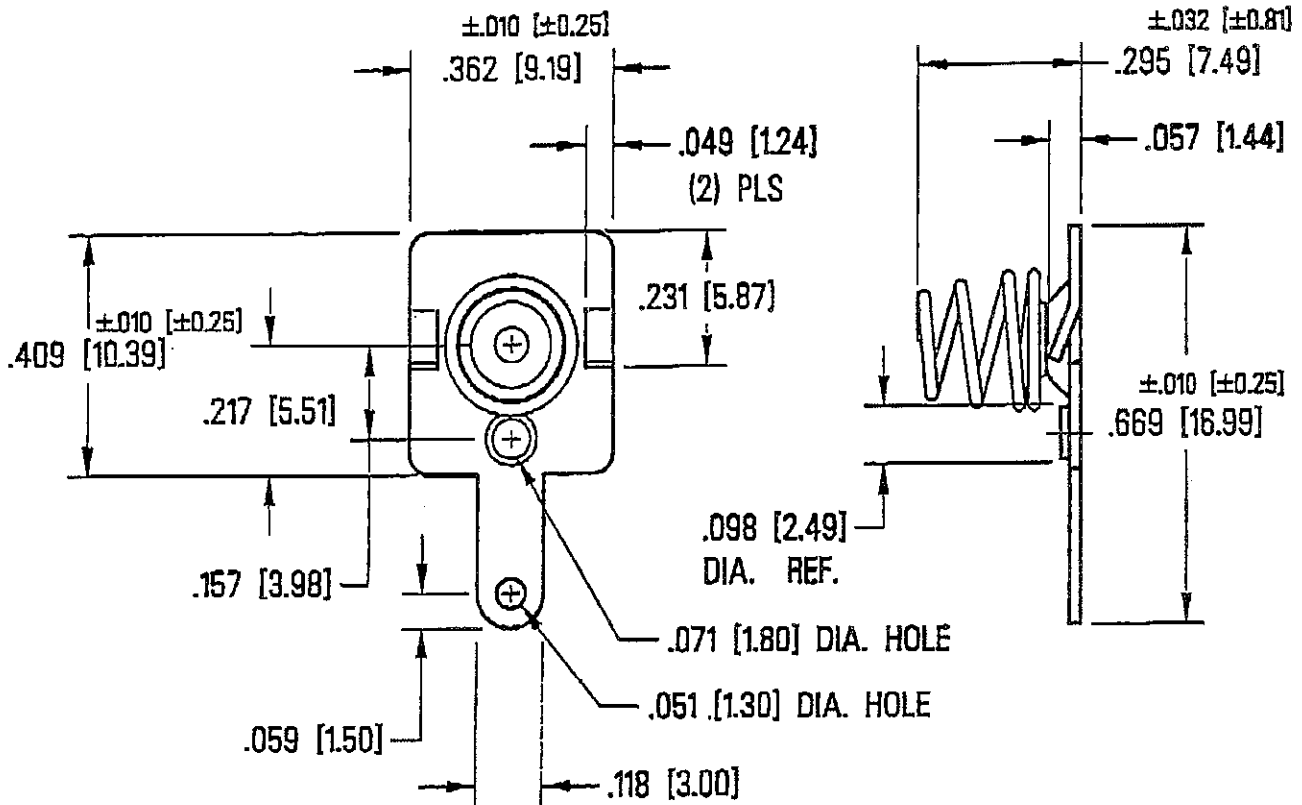


THIS DOCUMENT IS THE PROPERTY OF  
KEYSTONE ELECTRONICS CORP. AND  
SHALL NOT BE REPRODUCED, DISTRIBUTED  
OR USED AS A BASIS FOR MANUFACTURE  
WITHOUT PRIOR WRITTEN PERMISSION  
FROM KEYSTONE ELECTRONICS CORP.



NOTES:

- BASE:  
MAT'L -  $.020$  [ $0.50$ ] TH'K STEEL
- SPRING CONTACT:  
MAT'L -  $.020$  [ $0.50$ ] DIA.  
MUSIC WIRE

|                                    |                           |                   |         |
|------------------------------------|---------------------------|-------------------|---------|
| <b>KEYSTONE ELECTRONICS CORP.</b>  |                           |                   |         |
| ASTORIA, N.Y. 11105-2017           |                           |                   |         |
| PART NAME                          |                           |                   |         |
| 'AAA' & 'N' FEMALE BATTERY CONTACT |                           |                   |         |
| MATERIAL                           |                           |                   |         |
| AS NOTED                           |                           |                   |         |
| FINISH                             |                           | DRN BY            | DATE    |
| NICKEL PLATE                       |                           | BOONE             | 12.3.98 |
|                                    |                           | APP'D             | SCALE   |
|                                    |                           |                   | 3X      |
| TOLERANCES                         | INCH                      | (MM)              | CODE    |
| DECIMAL                            | $\pm .005$ [ $\pm 0.15$ ] |                   | C       |
| ANGULAR                            | $\pm 1/2^\circ$           |                   |         |
| UNLESS OTHERWISE SPECIFIED         |                           |                   |         |
| DWG NO.                            |                           | <b>9-5204-RAM</b> |         |

| DATE | DESCRIPTION | REV. |
|------|-------------|------|
|      |             |      |