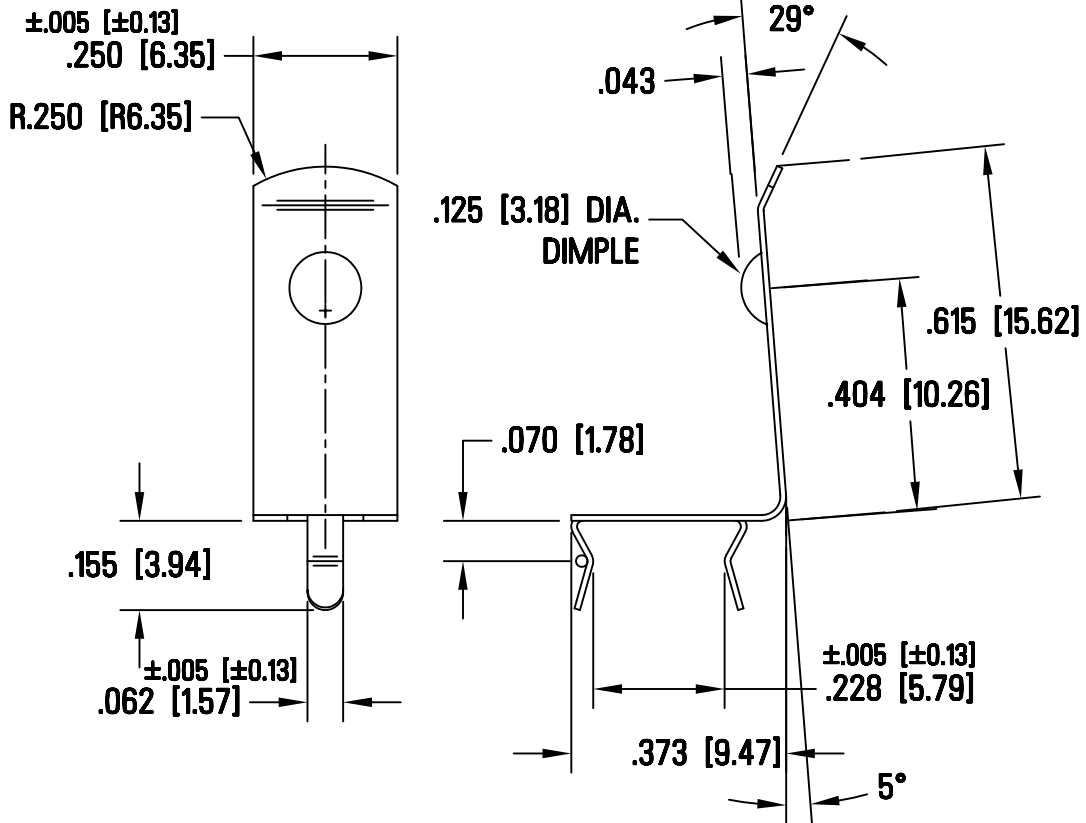
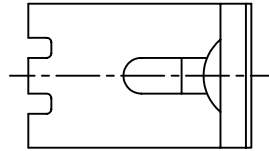


THIS DOCUMENT IS THE PROPERTY OF
KEYSTONE ELECTRONICS CORP. AND
SHALL NOT BE REPRODUCED, DISTRIBUTED
OR USED AS A BASIS FOR MANUFACTURE
WITHOUT PRIOR WRITTEN PERMISSION
FROM KEYSTONE ELECTRONICS CORP.



NOTE:

1. HEAT TREAT TO SPRING TEMPER
2. FINISH: NICKEL PLATE OVER COPPER

KEYSTONE ELECTRONICS CORP.			
ASTORIA, N.Y. 11105-2017			
PART NAME		PC BATTERY CLIP	
MATERIAL			
.010 TH'K ANNEALED SPRING STEEL			
FINISH		DRN BY	DATE
AS NOTED		BOONE	1/28/03
		APP'D	SCALE
			3X
TOLERANCES	INCH	[MM]	CODE
DECIMAL	±.010	[±0.25]	C
ANGULAR	± 1°		
UNLESS OTHERWISE SPECIFIED			
DWG NO.		9-52-396	

DATE	DESCRIPTION	REV.