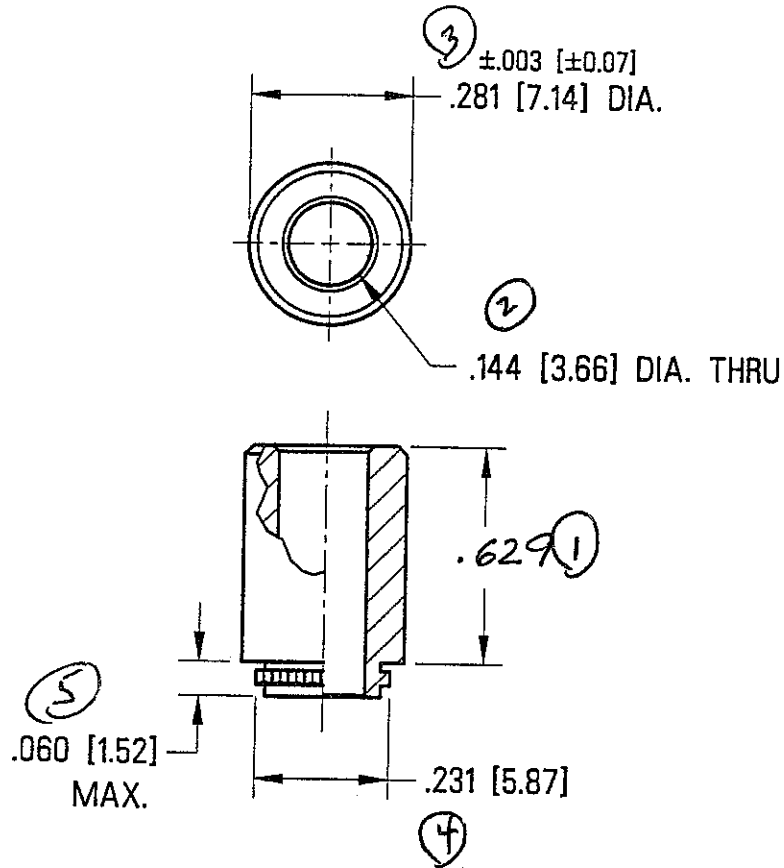


THIS DOCUMENT IS THE PROPERTY OF KEYSTONE ELECTRONICS CORP. AND SHALL NOT BE REPRODUCED, DISSEMINATED OR USED AS A BASIS FOR MANUFACTURE WITHOUT PRIOR WRITTEN PERMISSION FROM KEYSTONE ELECTRONICS CORP.



KEYSTONE ELECTRONICS CORP.

ASTORIA, N.Y. 11105-2017

PART NAME

FORCE-FIT STANDOFF, CLEAR HOLE

MATERIAL

(6) STAINLESS STEEL

FINISH

-

DRN BY

BOONE

DATE

4.22.96

APP'D

[Signature]

SCALE

3X

TOLERANCES

INCH

[MM]

CODE

DWG NO

DECIMAL $\pm .005 [\pm 0.15]$

C/M

9-4859-16M

ANGULAR $\pm 1/2^\circ$

UNLESS OTHERWISE SPECIFIED

DATE

DESCRIPTION

REV.