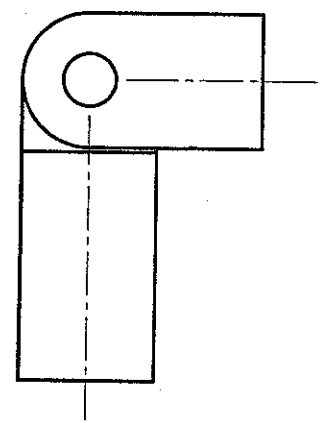
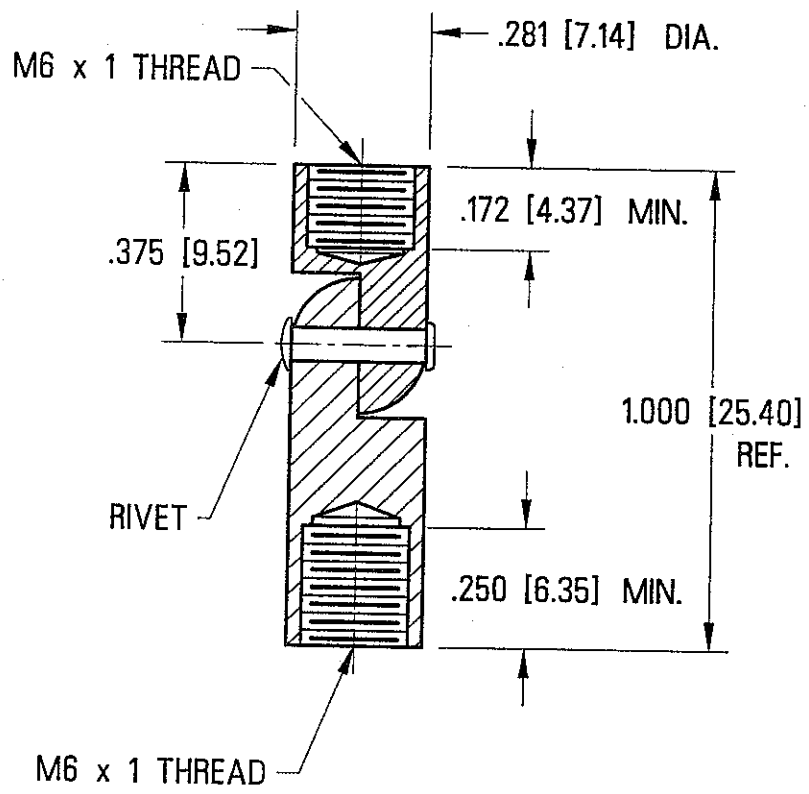


THIS DOCUMENT IS THE PROPERTY OF KEYSTONE ELECTRONICS CORP. AND SHALL NOT BE REPRODUCED, DISTRIBUTED OR USED AS A BASIS FOR MANUFACTURE WITHOUT PRIOR WRITTEN PERMISSION FROM KEYSTONE ELECTRONICS CORP.



<b>KEYSTONE ELECTRONICS CORP.</b>			
ASTORIA, N.Y. 11105-2017			
PART NAME			
HINGED STANDOFF, FEMALE/FEMALE, M6			
MATERIAL			
BRASS			
FINISH		DRN BY	DATE
ZINC PLATE GOLD IRIDITE		BOONE	11.9.95
		APP'D	SCALE
TOLERANCES		CODE	DWG NO.
DECIMAL ±.005 [±0.15]		C	9-356-M6
ANGULAR ± 1/2° UNLESS OTHERWISE SPECIFIED			

11.22.95	REVISED DIA. FROM .250	A
DATE	DESCRIPTION	REV.