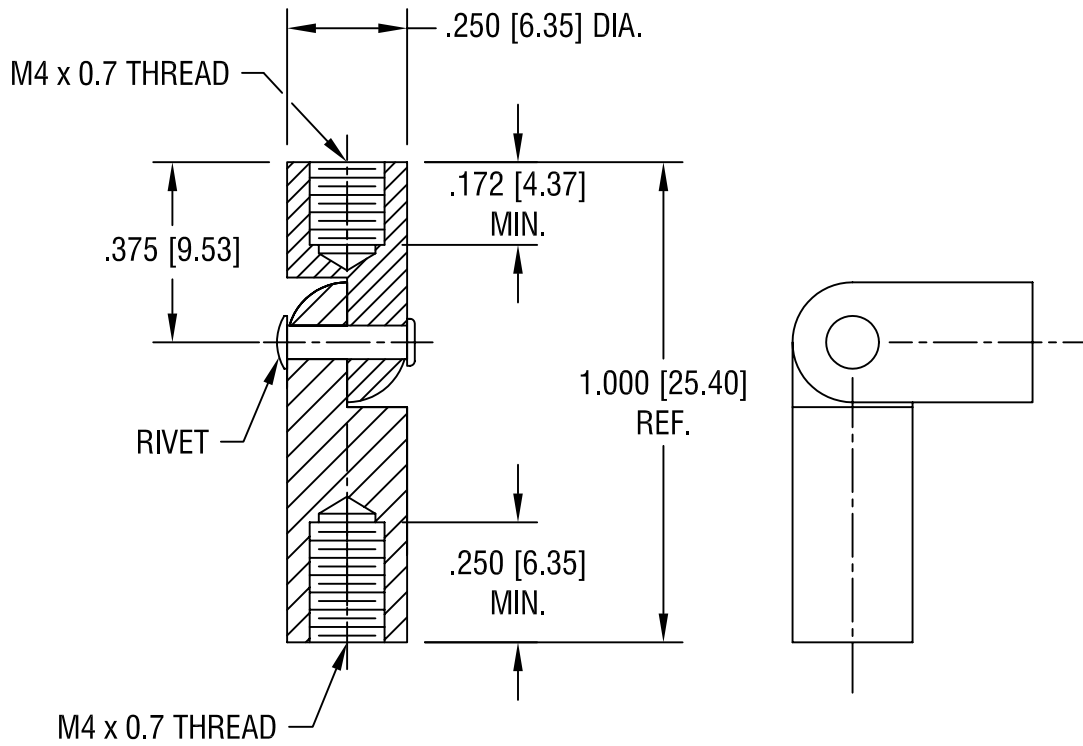


THIS DOCUMENT IS THE PROPERTY OF KEYSTONE ELECTRONICS CORP. AND SHALL NOT BE REPRODUCED, DISTRIBUTED OR USED AS A BASIS FOR MANUFACTURE WITHOUT PRIOR WRITTEN PERMISSION FROM KEYSTONE ELECTRONICS CORP.



<b>KEYSTONE ELECTRONICS CORP.</b>			
ASTORIA, N.Y. 11105-2017			
PART NAME			
HINGED STANDOFF, FEMALE/FEMALE, M4			
MATERIAL			
BRASS			
FINISH		DRN BY	DATE
ZINC PLATE GOLD IRIDITE		BOONE	11.9.95
		APPD	SCALE
			3X
TOLERANCES		INCH	[MM]
DECIMAL		$\pm .005$	[ $\pm 0.15$ ]
ANGULAR		$\pm 1^\circ$	
UNLESS OTHERWISE SPECIFIED			
CODE	DWG NO.		
C	<b>9-354-M4</b>		

DATE	DESCRIPTION	REV.