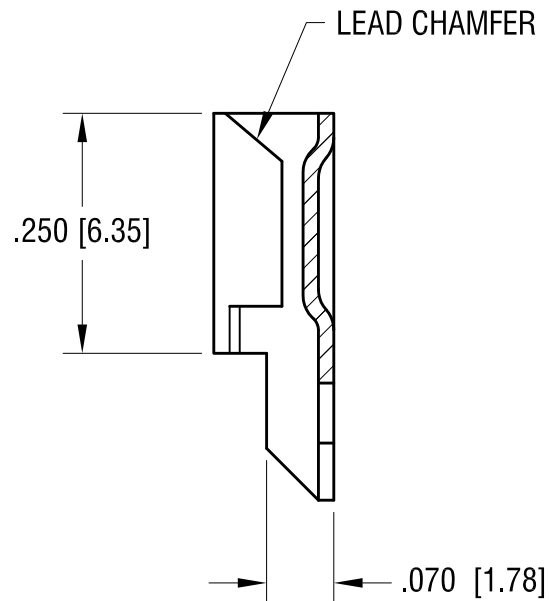
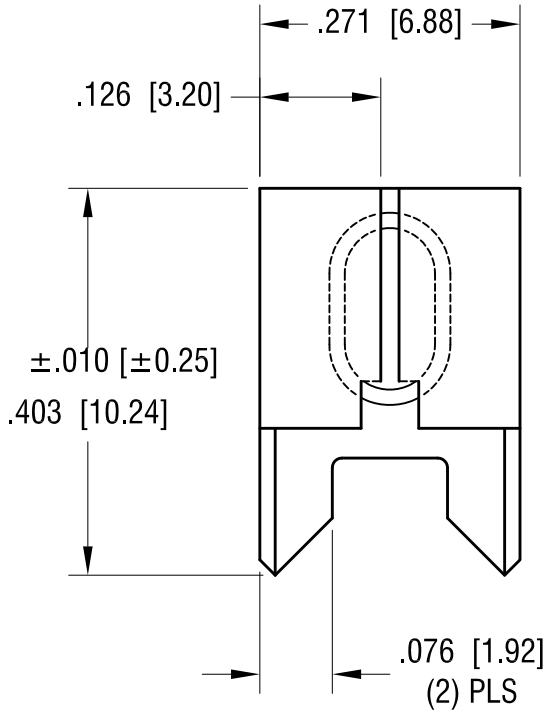
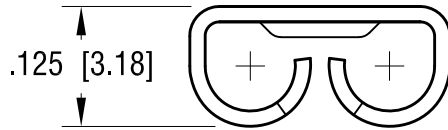


THIS DOCUMENT IS THE PROPERTY OF
KEYSTONE ELECTRONICS CORP. AND
SHALL NOT BE REPRODUCED, DISTRIBUTED
OR USED AS A BASIS FOR MANUFACTURE
WITHOUT PRIOR WRITTEN PERMISSION
FROM KEYSTONE ELECTRONICS CORP.

ACTUAL SIZE



KEYSTONE ELECTRONICS CORP.

www.keyelco.com • ASTORIA, N.Y. 11105-2017 • Tel (718) 956-8900

PART NAME		PC AUTO FUSE CLIP	
MATERIAL		.016 [0.40] TH'K BRASS	
FINISH		DRN BY	DATE
NICKEL PLATE		NT	8.06.15
		APP'D	SCALE
		LN	5X
TOLERANCES	INCH [MM]	CODE	DWG NO.
DECIMAL	± .005 [± 0.13]	C	9-3522-403
ANGULAR	± 2°		
UNLESS OTHERWISE SPECIFIED			

DATE	DESCRIPTION	REV.