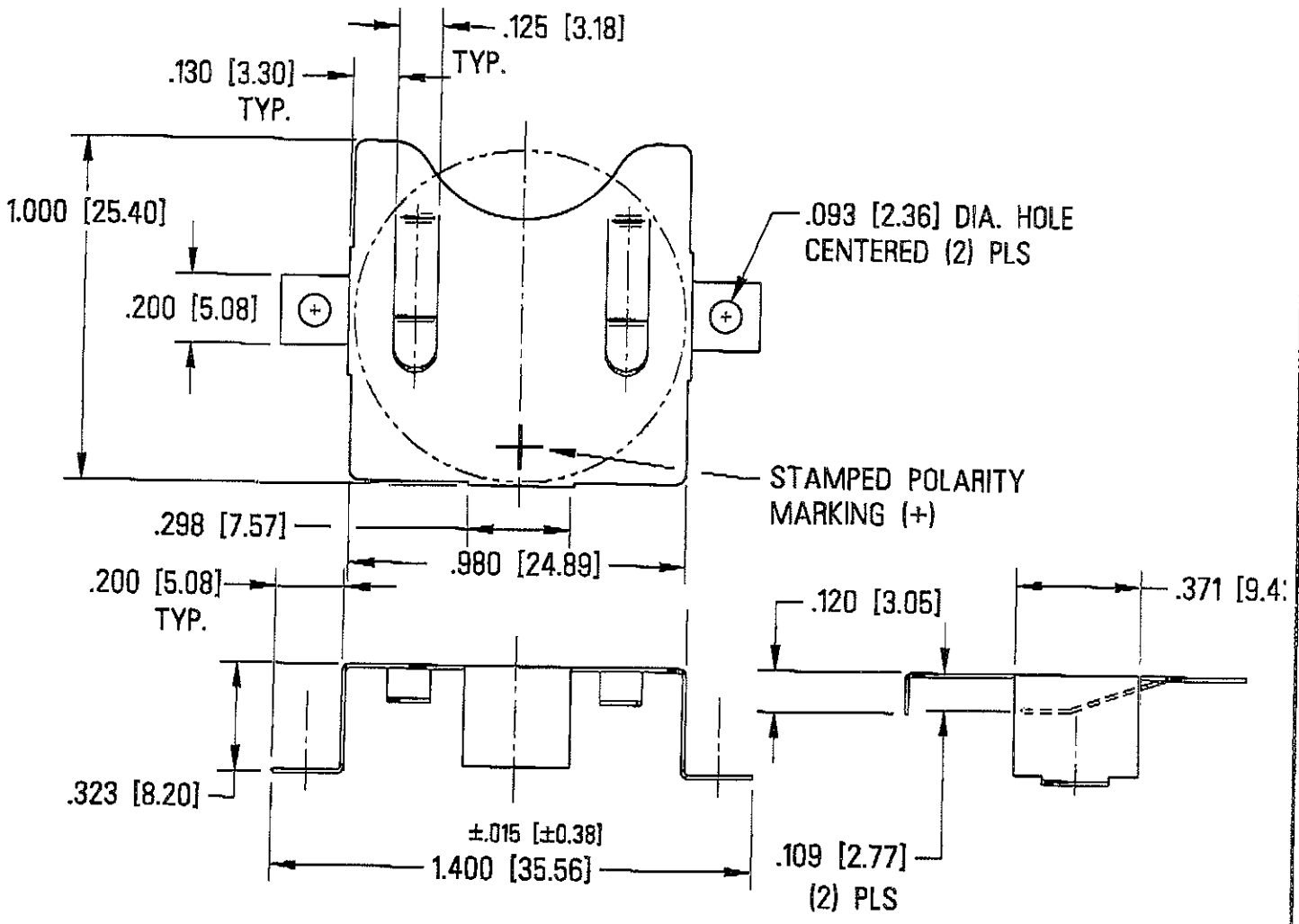
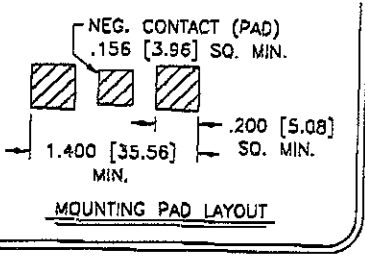


THIS DOCUMENT IS THE PROPERTY OF KEYSTONE ELECTRONICS CORP. AND SHALL NOT BE REPRODUCED, DISTRIBUTED OR USED AS A BASIS FOR MANUFACTURE WITHOUT PRIOR WRITTEN PERMISSION FROM KEYSTONE ELECTRONICS CORP.



KEYSTONE ELECTRONICS CORP.			
ASTORIA, N.Y. 11105-2017			
PART NAME			
24MM SM COIN CELL CLIP			
MATERIAL			
.010 [0.25] TH'K PHOSPHOR BRONZE			
FINISH		DRN BY	DATE
NICKEL PLATE		BOONE	8-25-99
		APP'D	SCALE
			2X
TOLERANCES	INCH	[MM]	CODE
DECIMAL	±.005	[±0.15]	C
ANGULAR ± 1/2°			DWG NO.
UNLESS OTHERWISE SPECIFIED			9-3006-77

DATE	DESCRIPTION	REV.