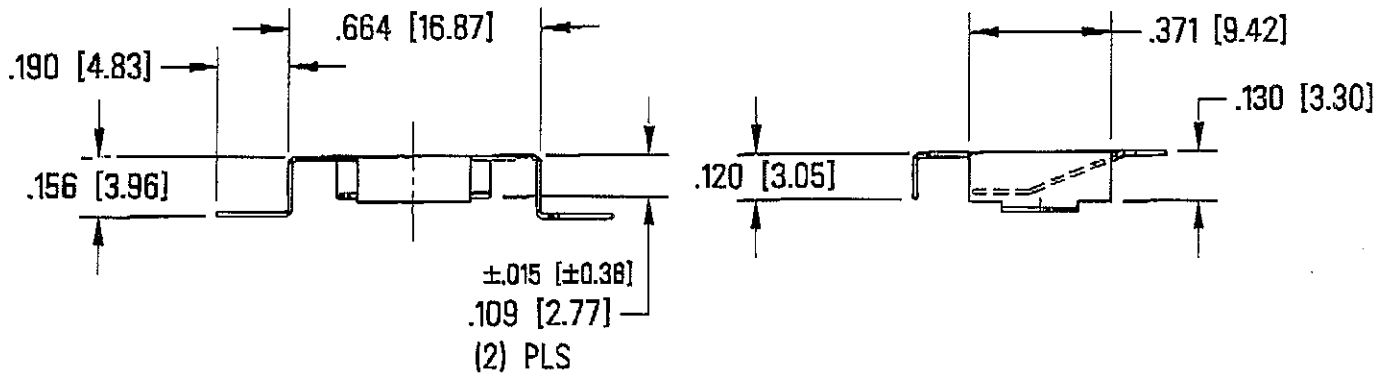
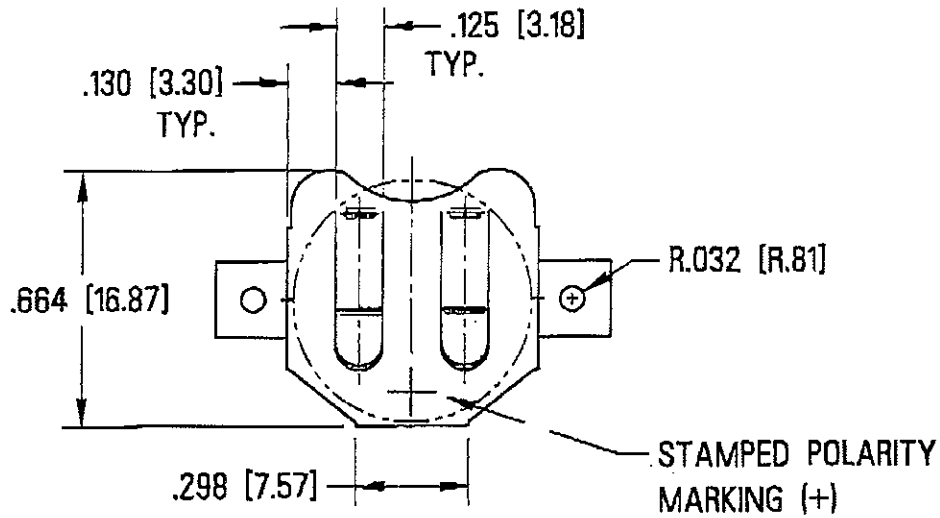


THIS DOCUMENT IS THE PROPERTY OF  
KEYSTONE ELECTRONICS CORP. AND  
SHALL NOT BE REPRODUCED, DISTRIBUTED  
OR USED AS A BASIS FOR MANUFACTURE  
WITHOUT PRIOR WRITTEN PERMISSION  
FROM KEYSTONE ELECTRONICS CORP.



<b>KEYSTONE ELECTRONICS CORP.</b>			
ASTORIA, N.Y. 11105-2017			
PART NAME			
16mm COIN CELL CLIP			
MATERIAL			
.010 [0.25] TH'K SPRING STEEL			
FINISH		DRN BY	DATE
NICKEL PLATE		LARRY	5/27/98
		APP'D	SCALE
		<i>[Signature]</i>	2X
TOLERANCES	INCH	MM	CODE
DECIMAL	±.005	[±0.15]	C
ANGULAR ± 1/2°			DWG NO.
UNLESS OTHERWISE SPECIFIED			9-3002-16

DATE	DESCRIPTION	REV.
------	-------------	------