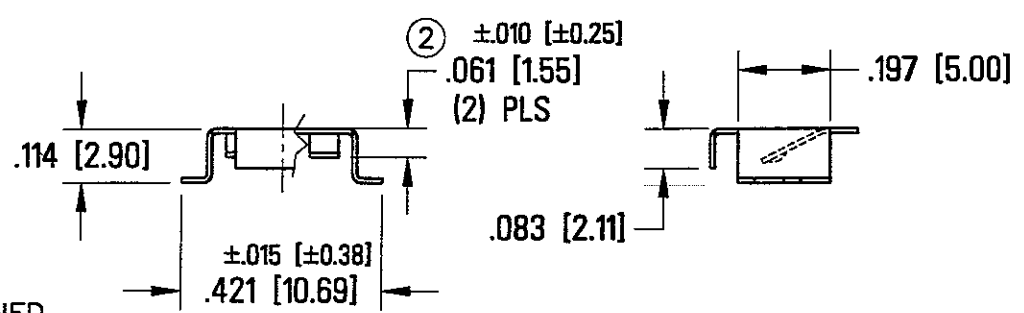
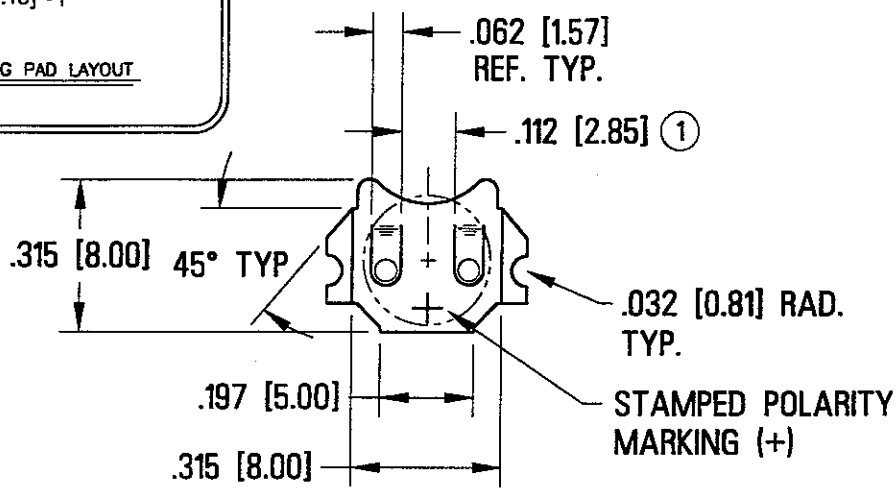
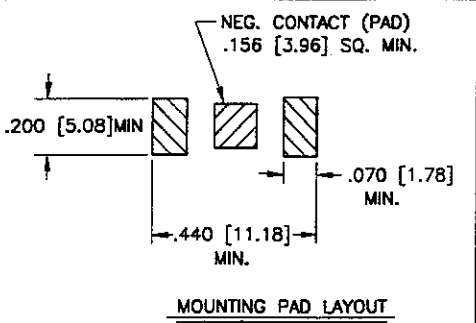


THIS DOCUMENT IS THE PROPERTY OF KEYSTONE ELECTRONICS CORP. AND SHALL NOT BE REPRODUCED, DISTRIBUTED OR USED AS A BASIS FOR MANUFACTURE WITHOUT PRIOR WRITTEN PERMISSION FROM KEYSTONE ELECTRONICS CORP.



NOTE:
 1. THIS RETAINER IS DESIGNED TO FIT BATTERIES HAVING A DIA. OF 6.8mm AND WITH HEIGHTS FROM 2.00 TO 2.2mm

- 2. HEAT TREAT TO SPRING TEMPER.
- 3. FINISH IS 90/10 TIN LEAD (BRIGHT) (2) PLATE OVER NICKEL PLATE
- *4. TAPE IS 24mm WIDE WITH A PITCH OF 12mm. REEL DIA. IS 13" WITH 1250 PIECES PER REEL
- 5. LEAD LENGTH IS 400mm

NEC P/N	KEYSTONE P/N	SUPPLIED
-	9-3000-MEC2	LOOSE PIECE
MRD-MMP-0001-01	9-3000-MEC2-TR	TAPE & REEL*

KEYSTONE ELECTRONICS CORP.			
ASTORIA, N.Y. 11105-2017			
PART NAME COIN CELL RETAINER			
MATERIAL .010 [.25] SPRING STEEL			
FINISH AS NOTED		DRN BY LARRY	DATE 1/8/98
		APP'D <i>LB</i>	SCALE 2.5X
TOLERANCES: DECIMAL ANGULAR ± 1/2° UNLESS OTHERWISE SPECIFIED	INCH [MM] ±.005 [±0.15]	CODE C	DWG NO. 9-3000-MEC2

DATE	DESCRIPTION	REV.
10/9/98	ADD NOTE #5 & NEC P/N, EDIT #1	E
9/11/98	(2) WAS .071, ADD "BRIGHT" TO PL.	D
5/21/98	REDESIGNED, ADDED CHART, TAPE & REEL SPECIFICATIONS	C
4.1.98	ADD TIN LEAD PLATE. WAS NICKEL	B
3/10/98	REMOVE HOLES, (1) WAS .072	A