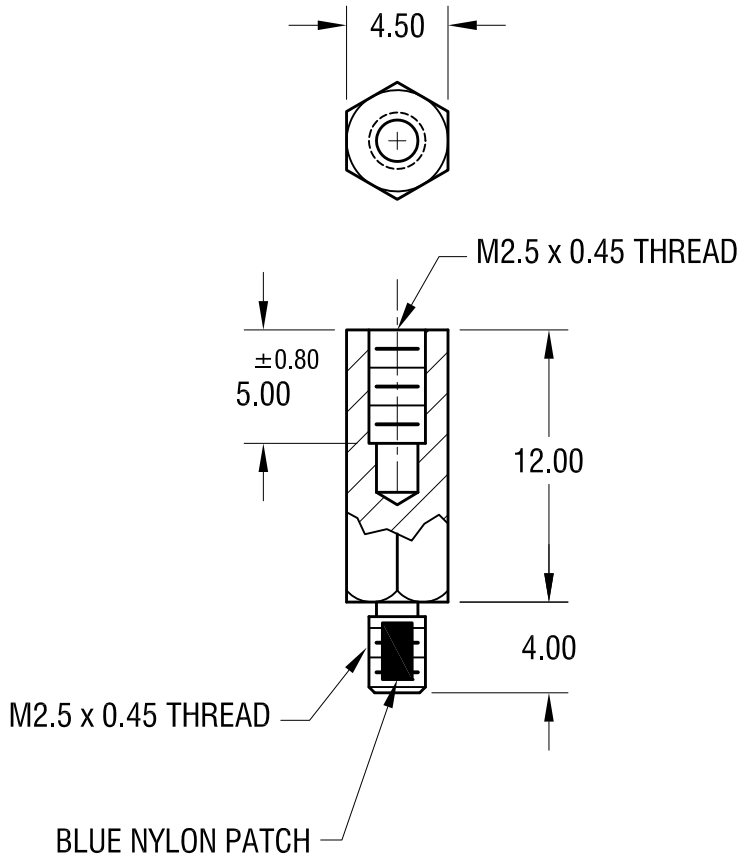


THIS DOCUMENT IS THE PROPERTY OF  
KEYSTONE ELECTRONICS CORP. AND  
SHALL NOT BE REPRODUCED, DISTRIBUTED  
OR USED AS A BASIS FOR MANUFACTURE  
WITHOUT PRIOR WRITTEN PERMISSION  
FROM KEYSTONE ELECTRONICS CORP.

ACTUAL SIZE



**NOTE:**

- 1. ALL DIMENSIONS ARE IN MILLIMETERS

APPROVED BY:  
Signed \_\_\_\_\_  
Company \_\_\_\_\_ Date: \_\_\_\_\_

<b>KEYSTONE ELECTRONICS CORP.</b>			
www.keyelco.com • ASTORIA, N.Y. 11105-2017 • Tel (718) 956-8900			
PART NAME		4.5mm M/F HEX STANDOFF	
MATERIAL		STAINLESS STEEL	
FINISH	DRN BY	DATE	
-	NT	5.09.13	
	APP'D	SCALE	
	LN	4X	
TOLERANCES	INCH	[MM]	CODE
DECIMAL	±	[± 0.13 ]	C
ANGULAR	± 1°		
UNLESS OTHERWISE SPECIFIED			DWG NO.
			<b>9-24284-NYP</b>

DATE	DESCRIPTION	REV.