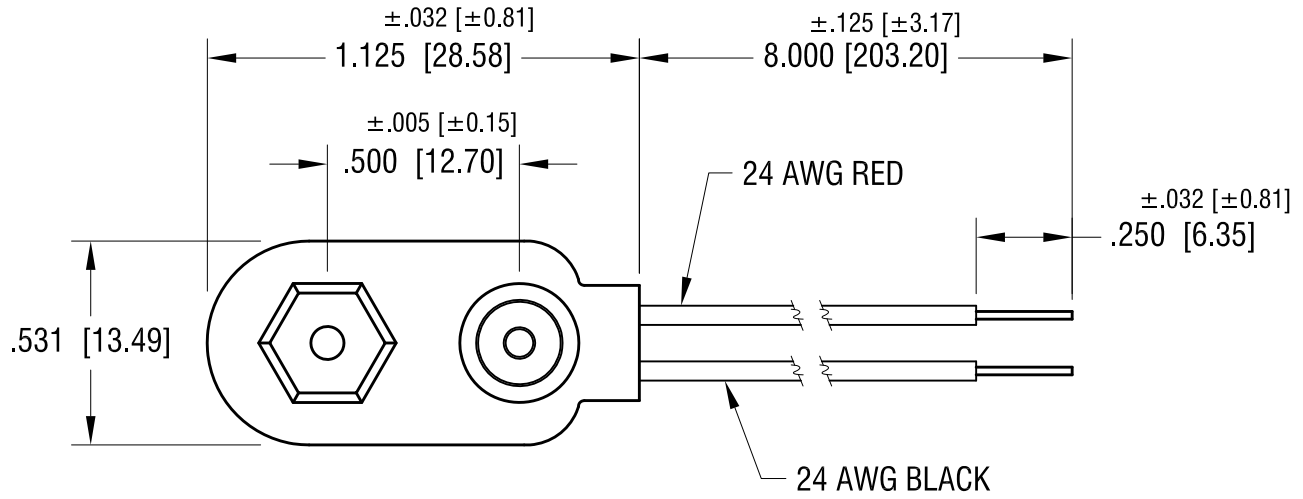


THIS DOCUMENT IS THE PROPERTY OF  
KEYSTONE ELECTRONICS CORP. AND  
SHALL NOT BE REPRODUCED, DISTRIBUTED  
OR USED AS A BASIS FOR MANUFACTURE  
WITHOUT PRIOR WRITTEN PERMISSION  
FROM KEYSTONE ELECTRONICS CORP.



**NOTE:**

- MAT'L - WIRE: 24 AWG, 1007 UL/CSA APPROVED  
CONTACTS: BRASS, NICKEL PLATE  
.012 [0.30] MINIMUM THICKNESS PVC &  
.032 [0.81] THICK FIBER INSULATION.  
RED WIRE CONNECTED TO FEMALE CONTACT;  
BLACK WIRE CONNECTED TO MALE CONTACT.

APPROVED BY:

Signed \_\_\_\_\_

Company \_\_\_\_\_ Date: \_\_\_\_\_

**KEYSTONE ELECTRONICS CORP.**

www.keyelco.com • ASTORIA, N.Y. 11105-2017 • Tel (718) 956-8900

PART NAME

ECONOMY '9' VOLT BATTERY STRAP

MATERIAL

AS NOTED

FINISH

AS NOTED

DRN BY

NT

DATE

7.19.12

APP'D

LN

SCALE

2X

TOLERANCES

INCH [MM]

DECIMAL ±.015 [±0.38]

ANGULAR ± 1°  
UNLESS OTHERWISE SPECIFIED

CODE

C/M

DWG NO.

9-234-24G

DATE

DESCRIPTION

REV.