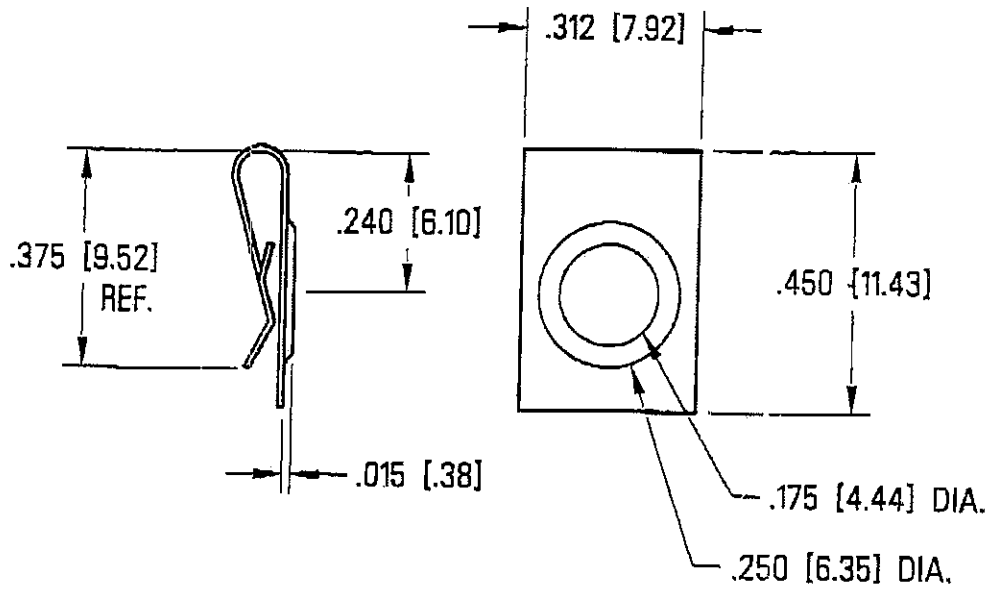


THIS DOCUMENT IS THE PROPERTY OF  
KEYSTONE ELECTRONICS CORP. AND  
SHALL NOT BE REPRODUCED, DISTRIBUTED  
OR USED AS A BASIS FOR MANUFACTURE  
WITHOUT PRIOR WRITTEN PERMISSION  
FROM KEYSTONE ELECTRONICS CORP.



<b>KEYSTONE ELECTRONICS CORP.</b>			
ASTORIA, N.Y. 11105-2017			
PART NAME			
BATTERY SINGLE CONTACT-'AA'			
MATERIAL			
.010 [0.25] TH'K SPRING STEEL			
FINISH			
NICKEL PLATE		DRN BY	DATE
		BOONE	12.20.96
		APP'D	SCALE
		<i>[Signature]</i>	3X
TOLERANCES	INCH	(MM)	CODE
DECIMAL	±.005	[±0.15]	C
ANGULAR ± 1/2°			DWG NO.
UNLESS OTHERWISE SPECIFIED			<b>9-228-LC</b>

DATE	DESCRIPTION	REV.
------	-------------	------