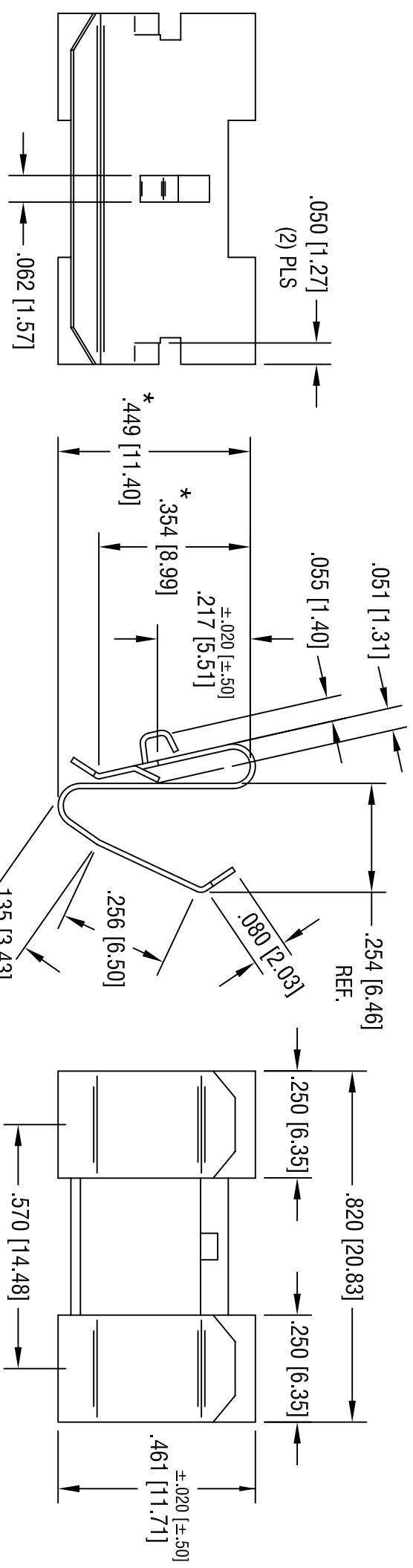
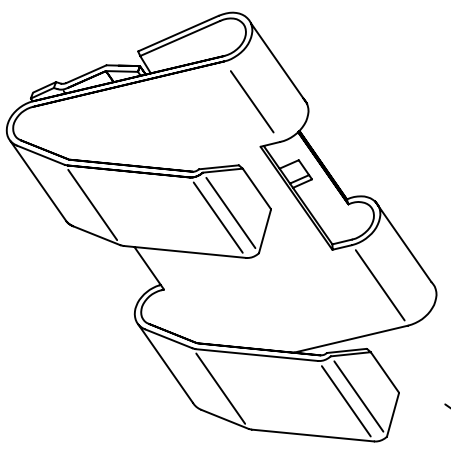


DATE	DESCRIPTION	REV.



- NOTE:
1. .012 [.30] TH'K BERYLLIUM COPPER
 2. HEAT TREAT TO SPRING TEMPER.
 3. DESIGNED TO CLIP OVER PANELS FROM .060 [1.52] THRU .070 [1.78] TH'K.
 4. * DENOTES ±.015 [±.38] TOLERANCE



KEYSTONE ELECTRONICS CORP.			
ASTORIA, N.Y. 11105-2017			
PART NAME		DUAL 'A'-AA CONTACT	
MATERIAL		AS NOTED	
FINISH		NICKEL PLATE	
TOLERANCES		INCH [MM]	
DECIMAL		± .010 [± 0.25]	
ANGULAR		± 1°	
UNLESS OTHERWISE SPECIFIED		C	
DRAWN BY		BOONE	
DATE		9.24.07	
SCALE		3X	
DWG NO.		9-210-BEC	