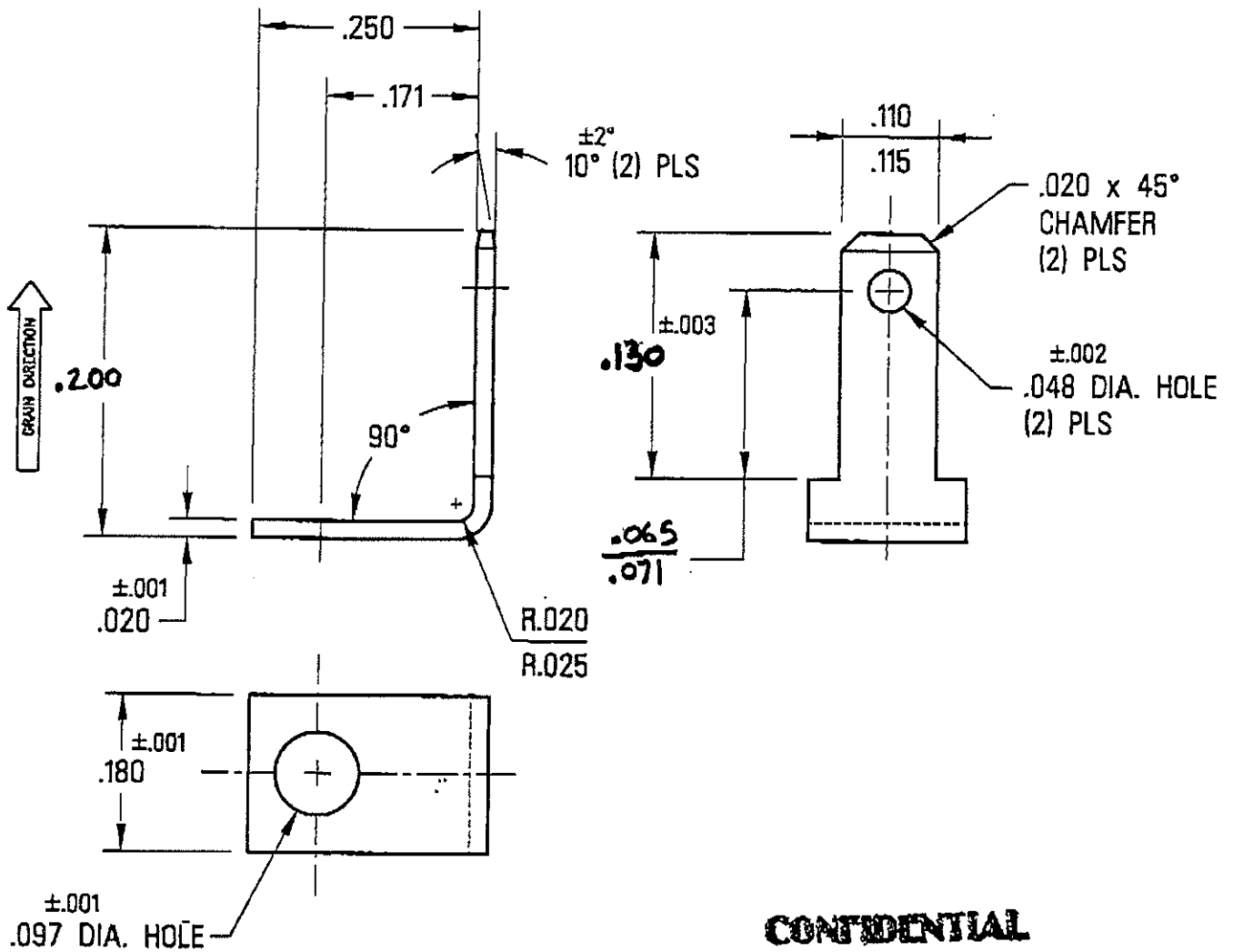


THIS DOCUMENT IS THE PROPERTY OF  
KEYSTONE ELECTRONICS CORP. AND  
SHALL NOT BE REPRODUCED, DISTRIBUTED  
OR USED AS A BASIS FOR MANUFACTURE  
WITHOUT PRIOR WRITTEN PERMISSION  
FROM KEYSTONE ELECTRONICS CORP.



**CONFIDENTIAL**

<b>KEYSTONE ELECTRONICS CORP.</b>			
ASTORIA, N.Y. 11105-2017			
PART NAME			
.110 QUICK-FIT TERMINAL			
MATERIAL			
.010 TH'K BRASS			
FINISH	BRIGHT BRASS	DRN BY	BOONE
		DATE	4.15.96
		APP'D	<i>[Signature]</i>
		SCALE	5X
TOLERANCES	INCH [MM]	CODE	DWG NO.
DECIMAL	±.005 [±0.15]	M	9-2002-R
ANGULAR	± 1/2°		
UNLESS OTHERWISE SPECIFIED			

DATE	DESCRIPTION	REV.