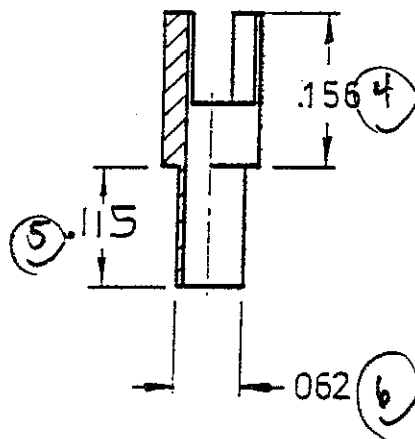
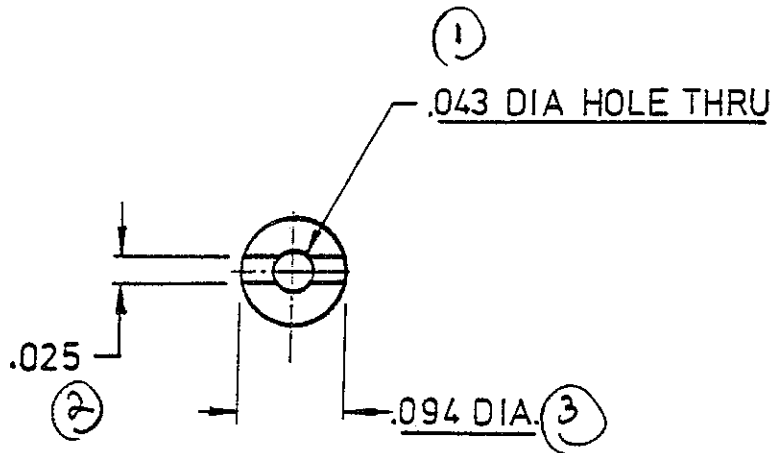


NO.  
C/M



TOLERANCE ON DIA.  $\pm 1/1002$

<b>KEYSTONE ELECTRONICS CORP.</b> ASTORIA, N.Y. 11105-2017		
PART NAME		TERMINAL
MATERIAL		(7) BRASS
FINISH	DRAWN BY	DATE
GOLD PLATE (8)	L.N.	6.4.82
	APPROVED	SCALE
	A.A.	—
TOLERANCES		DWG. NO.
FRACTIONAL $\pm$		9-1526-3GP
DECIMAL $\pm .005$ ANGULAR $\pm$ UNLESS OTHERWISE NOTED		

DATE	REVISION	ISSUE
------	----------	-------