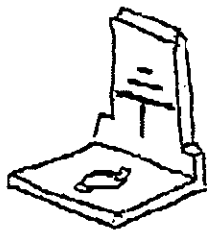
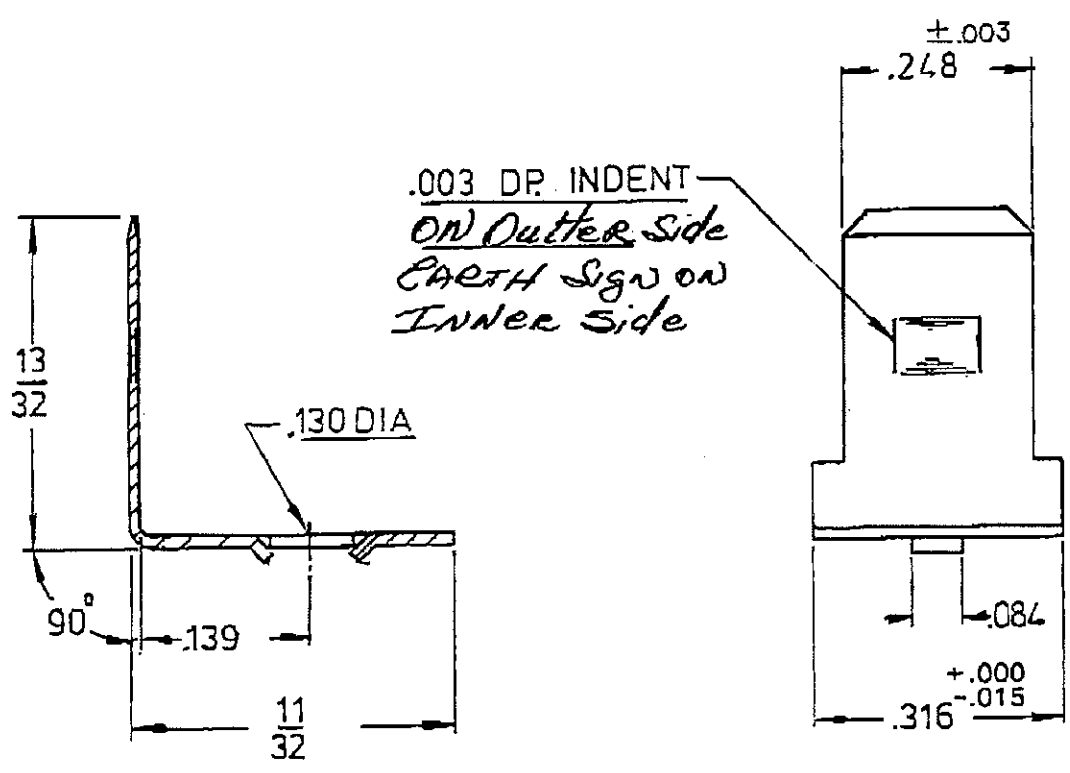


NO.
CODE
C/M



| | | | |
|-----------------------------------|--|-----------------|---------|
| KEYSTONE ELECTRONICS CORP. | | | |
| ASTORIA, N.Y. 11105-2017 | | | |
| PART NAME | | DISCONNECT TAB | |
| MATERIAL | | .032 TH'K BRASS | |
| FINISH | | DRAWN BY | DATE |
| BRIGHT BRASS | | L.N. | 4.30.82 |
| | | APPROVED | SCALE |
| | | A.A. | |
| TOLERANCES | | DWG. NO. | |
| FRACTIONAL $\pm .015$ | | 9-1256-ES | |
| DECIMAL $\pm .005$ ANGULAR \pm | | | |
| UNLESS OTHERWISE NOTED | | | |

| | | |
|------|----------|-------|
| DATE | REVISION | ISSUE |
|------|----------|-------|