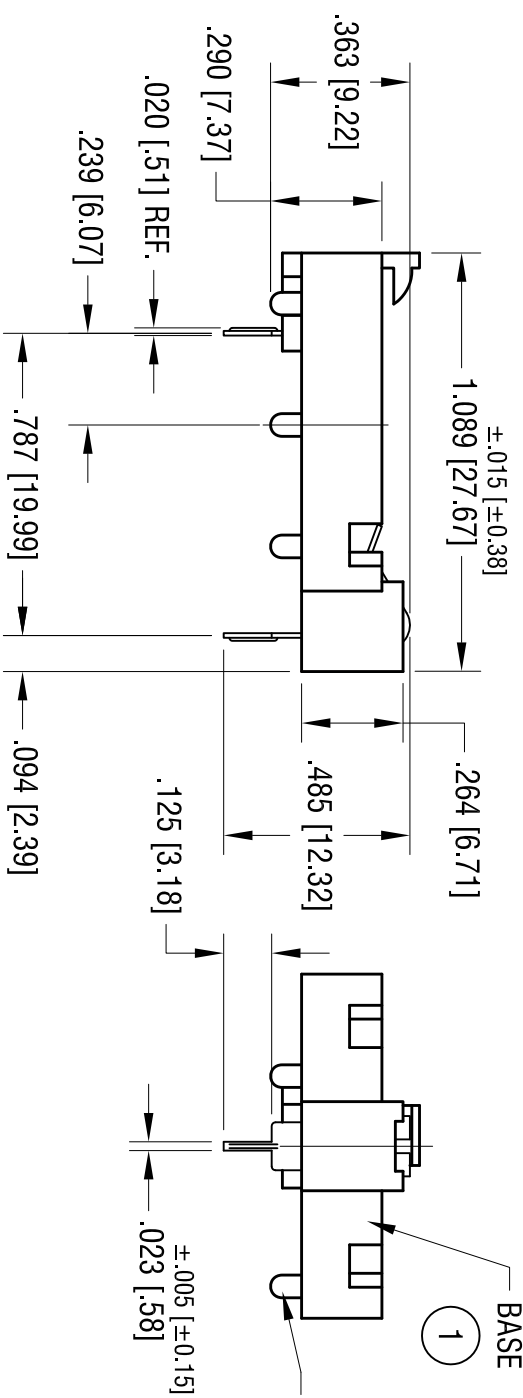
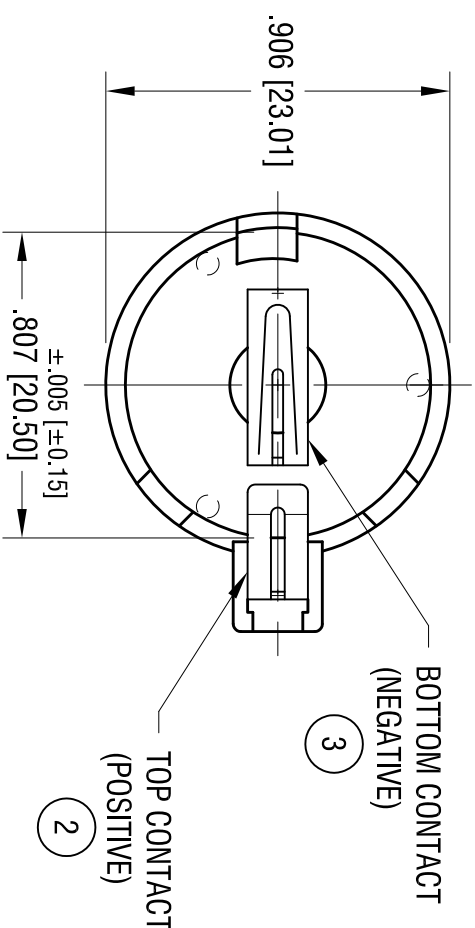
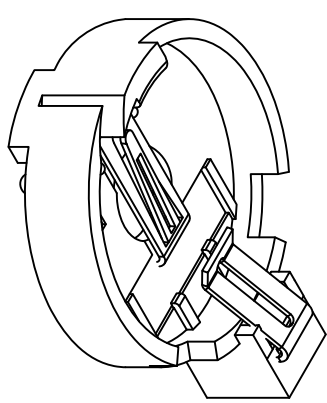


DATE	DESCRIPTION	REV.



.059 [1.50] DIA. LEG
(3) PLS
.059 [1.50] DIA. LEG
(3) PLS
.059 [1.50] DIA. LEG
(3) PLS

.059 [1.50] DIA. LEG
(3) PLS



THIS DOCUMENT IS THE PROPERTY OF
KEYSTONE ELECTRONICS CORP.
SHALL NOT BE REPRODUCED, DISTRIBUTED
OR USED AS A BASIS FOR MANUFACTURE
WITHOUT PRIOR WRITTEN PERMISSION
FROM KEYSTONE ELECTRONICS CORP.

KEYSTONE ELECTRONICS CORP.
ASTORIA, N.Y. 11105-2017

PART NAME
COMPACT 20mm BATTERY HOLDER

MATERIAL
AS NOTED

FINISH
AS NOTED

TOLERANCES	INCH	[MM]	CODE	DWG NO.
DECIMAL	± .010	[± 0.25]	C/M	9-1066-GF
ANGULAR	± 1°			

ITEM	DESCRIPTION	MATERIAL/FINISH
1	BASE BLACK	GLASS FILLED NYLON, UL 94V-0
2	TOP CONTACT	PHOSPHOR BRONZE .012 [0.30] THK
3	BOTTOM CONTACT	GOLD FLASH

