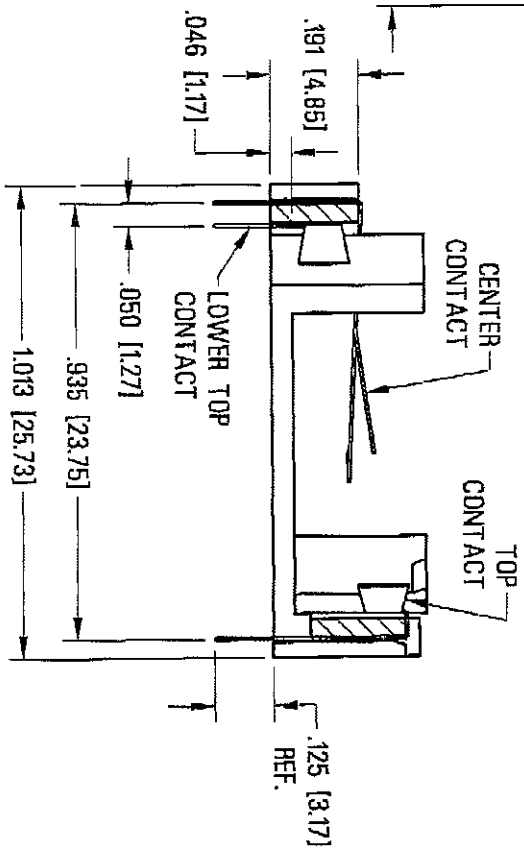
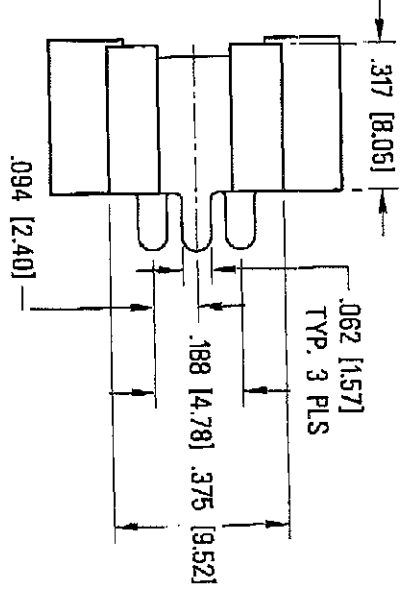
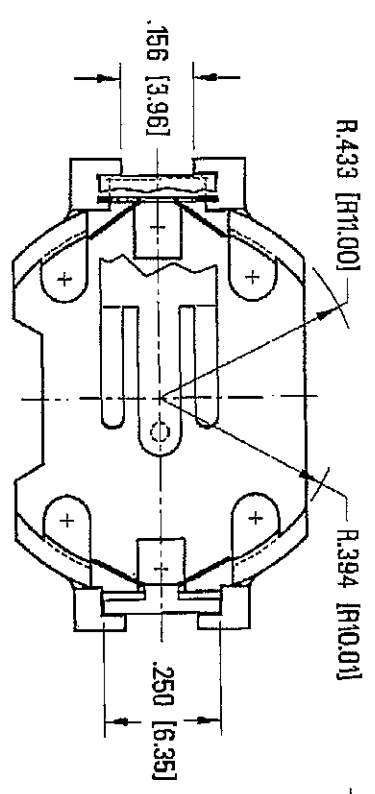
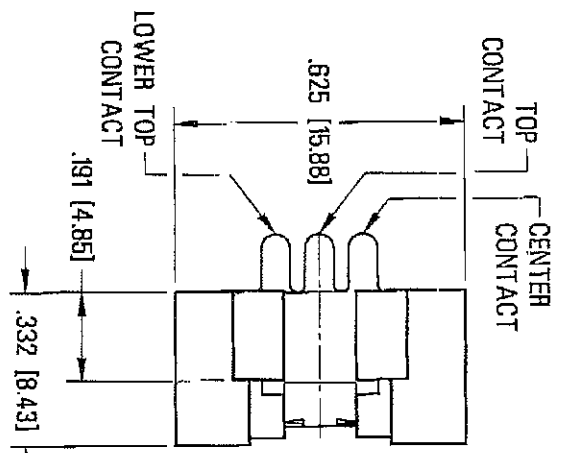


DATE	DESCRIPTION	REV.



PRELIMINARY
Not for Production

THIS DRAWING IS THE PROPERTY OF
KEYSTONE ELECTRONICS CORP. AND IS
TO BE USED AS A BASIS FOR MANUFACTURE
WITHOUT ERROR. WRITE A REQUESTOR
FROM KEYSTONE ELECTRONICS CORP.

KEYSTONE ELECTRONICS CORP.
ASTORIA, N.Y. 11105-2017

PART NAME
DUAL 20MM BATTERY HOLDER

MATERIAL
NYLON 6/6 (BASE)

FINISH
AS NOTED

TOOLERANCES	INCH	MILL	CODE	DWG NO.
DECIMAL	± .010	[± .25]	C	9-1063X2
ANGULAR	± 1/2°			
UNLESS OTHERWISE SPECIFIED				

- NOTES:
- CONTACTS:
MATERIAL - .006 [0.15] THICK STEEL
FINISH - NICKEL PLATE

DRN BY BOONE DATE 9.10.97
APP'D SCALE 3X