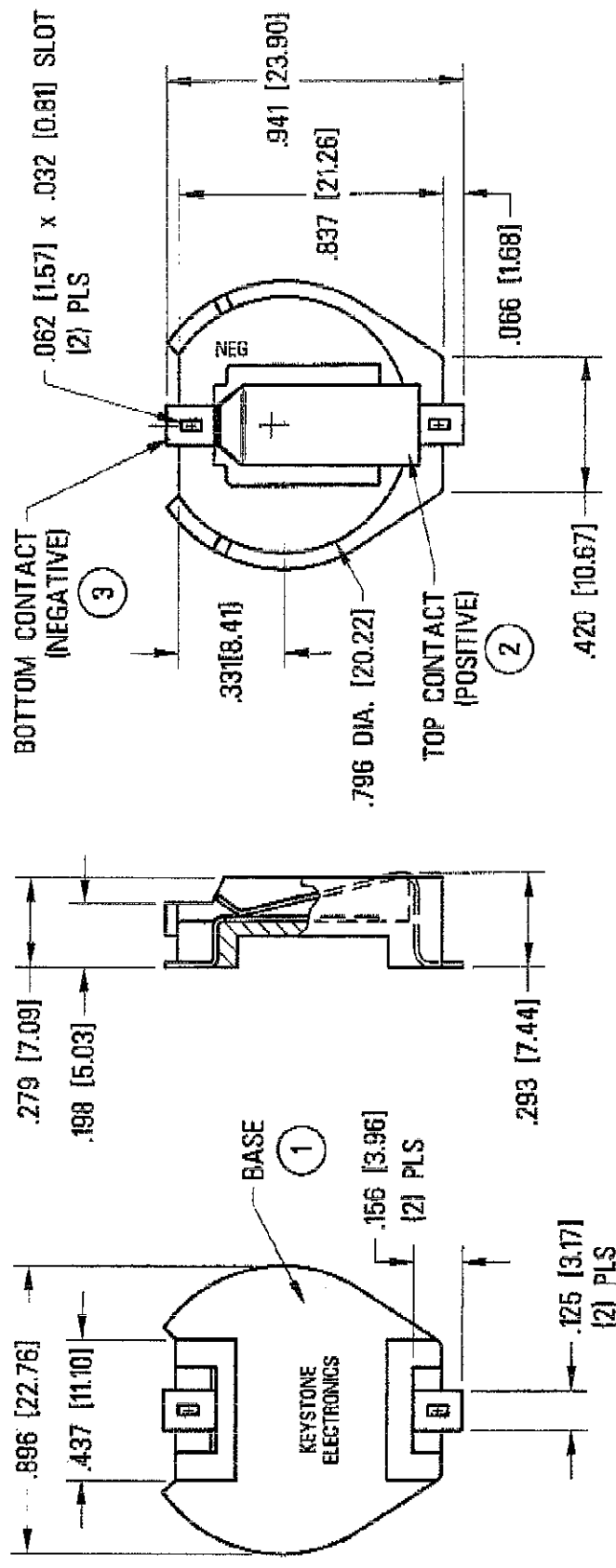


DATE	DESC
------	------



**PRELIMINARY**  
Not for Production

<b>KEYSTONE ELEC</b> ASTORIA, N.Y.
PART NAME 20MM BATTERY
MATERIAL AS NC
FINISH AS NOTED
TOLERANCES INCH (MM) DECIMAL ±.010 (±.25) ANGULAR ± 1/2° UNLESS OTHERWISE SPECIFIED

ITEM	DESCRIPTION	MATERIAL/FINISH
1	BASE BLACK	HIGH TEMPERATURE NYLON (UL 94V-0)
2	TOP CONTACT	SPRING STEEL .015 [0.38] TH'K .000100 [0.002] TIN PLATE
3	BOTTOM CONTACT	OVER .000200 [0.005] NICKEL OVER COPPER FLASH

