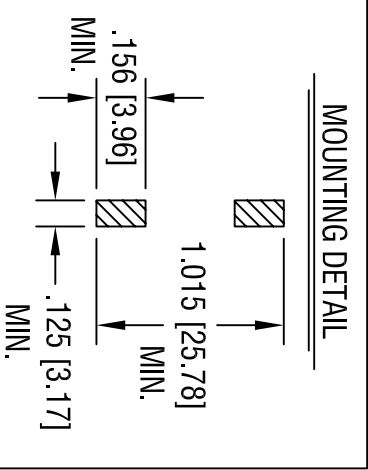
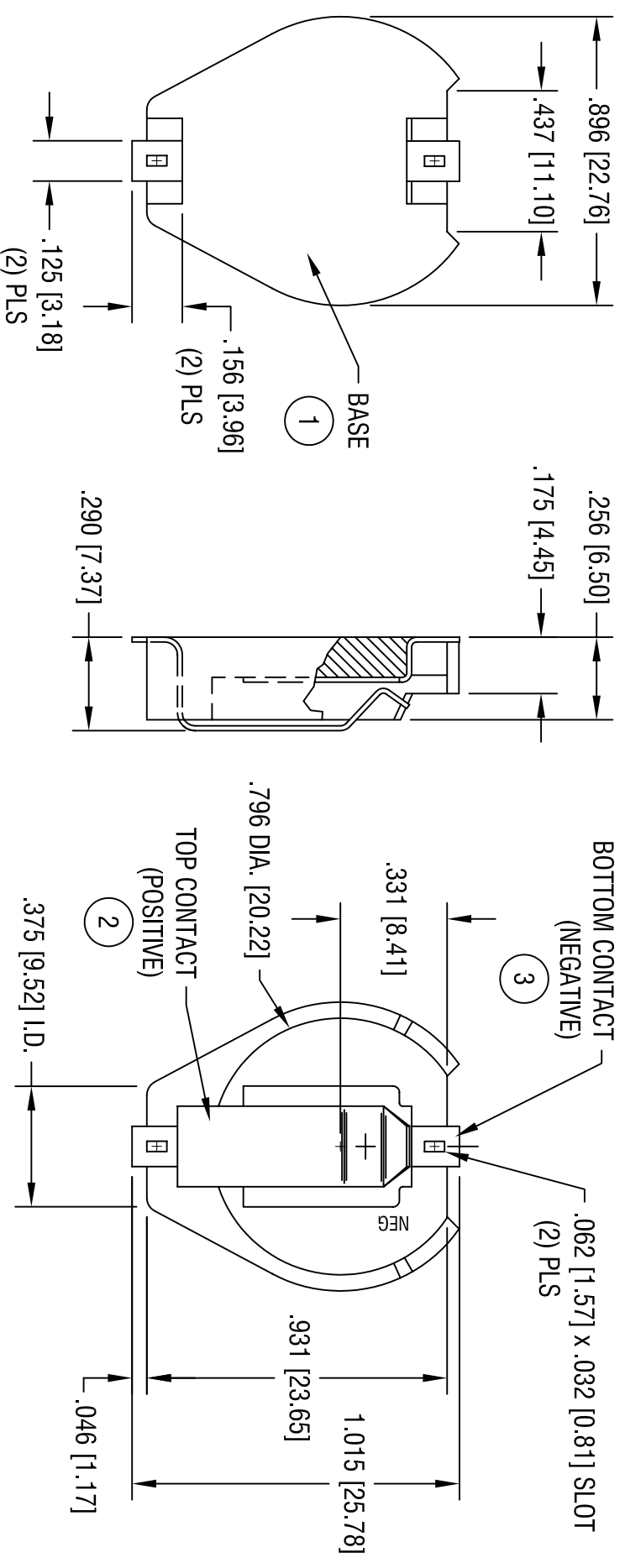


DATE	DESCRIPTION	REV.



ITEM	DESCRIPTION	MATERIAL/FINISH
1	BASE BLACK	HIGH TEMPERATURE NYLON (UL 94V-0)
2	TOP CONTACT	SPRING STEEL .015 [0.38] THK .000050 MATTE TIN PLATE OVER .000200 NICKEL PLATE.
3	BOTTOM CONTACT	

<b>KEYSTONE ELECTRONICS CORP.</b> ASTORIA, N.Y. 11105-2017			
PART NAME			
20mm BATTERY HOLDER, SMT			
MATERIAL		AS NOTED	
FINISH		AS NOTED	
TOLERANCES	INCH	[MM]	CODE
DECIMAL	± .010	[± 0.25 ]	C/M
ANGULAR	± 1°		
UNLESS OTHERWISE SPECIFIED			
DRN BY	DATE	APP'D	SCALE
BOONE	10.15.07		2X
DWG NO.		9-1061-WT	

THIS DOCUMENT IS THE PROPERTY OF  
KEYSTONE ELECTRONICS CORP.  
IT IS TO BE KEPT IN CONFIDENTIALITY  
AND SHALL NOT BE REPRODUCED, DISTRIBUTED  
OR USED AS A BASIS FOR MANUFACTURE  
WITHOUT PRIOR WRITTEN PERMISSION  
FROM KEYSTONE ELECTRONICS CORP.