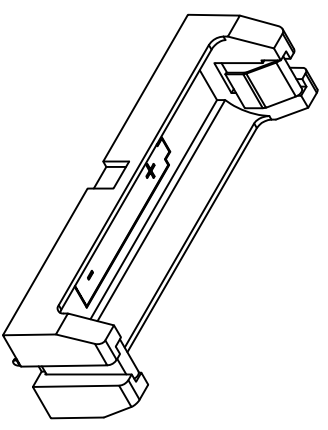
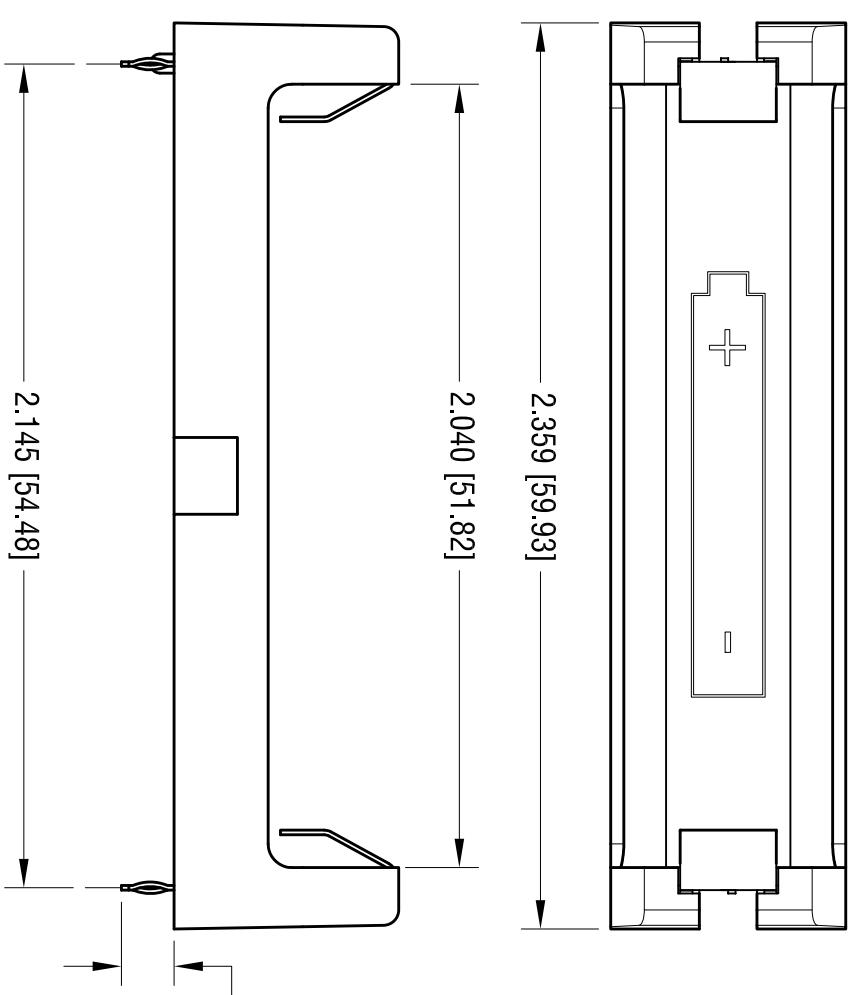
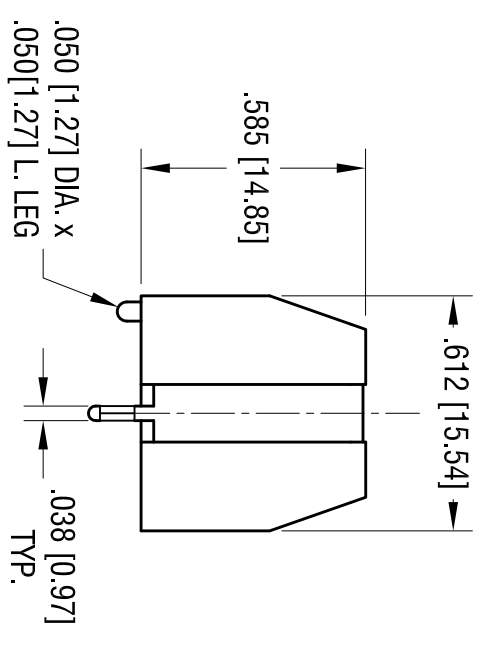
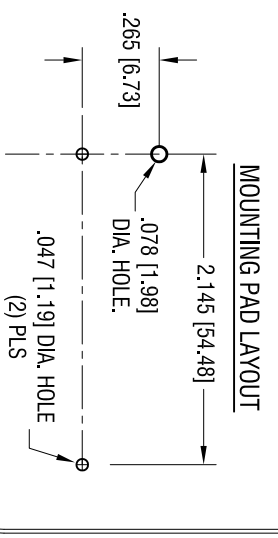


DATE	DESCRIPTION	REV.



- NOTE:
1. BASE:  
MATERIAL: HEAT RESISTANCE NYLON  
STAINYL 46 OR EQUIVALENT
  2. CONTACT:  
MATERIAL: .012 [0.30] THK STAINLESS STEEL  
FINISH: GOLD FLASH

THIS DOCUMENT IS THE PROPERTY OF KEYSTONE ELECTRONICS CORP. AND SHALL NOT BE REPRODUCED, DISTRIBUTED OR USED AS A BASIS FOR MANUFACTURE WITHOUT PRIOR WRITTEN PERMISSION FROM KEYSTONE ELECTRONICS CORP.

<b>KEYSTONE ELECTRONICS CORP.</b>			
www.keystec.com • ASTORIA, N.Y. 11105-2017 • Tel (718) 956-8900			
PART NAME		THM BATTERY HOLDER, AA	
MATERIAL		AS NOTED	
FINISH	AS NOTED	DRN BY	NT
TOLERANCES	INCH [MM]	DATE	8.26.14
DECIMAL	± .010 [± 0.25]	App'D	LN
ANGULAR	± 1°	SCALE	2X
UNLESS OTHERWISE SPECIFIED		CODE	DWG NO.
		C	9-1015-GF