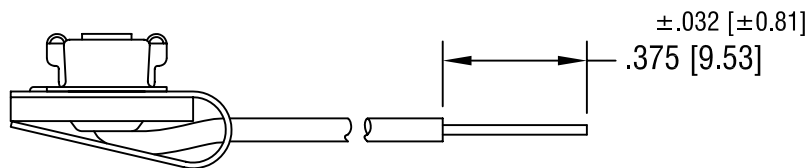
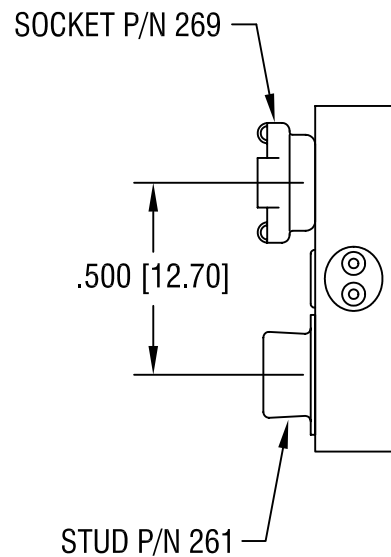
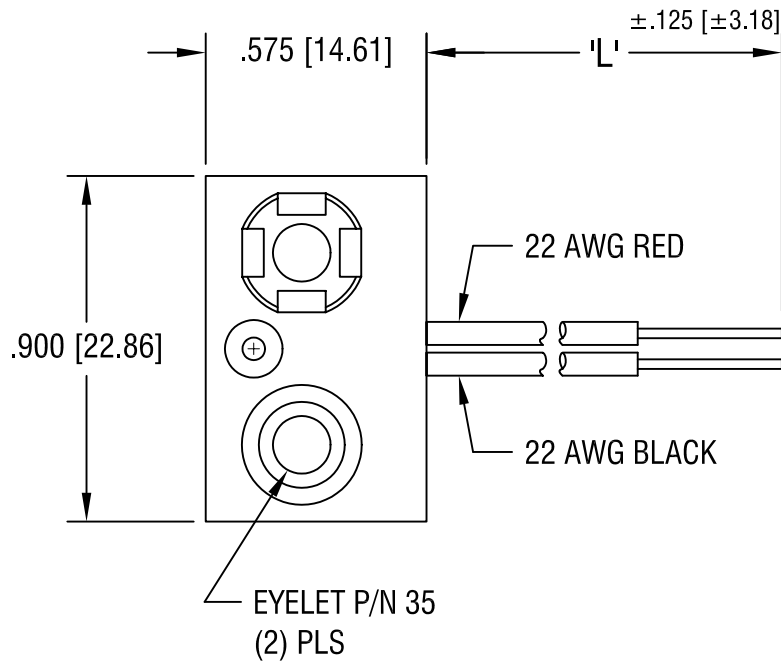


THIS DOCUMENT IS THE PROPERTY OF KEYSTONE ELECTRONICS CORP. AND SHALL NOT BE REPRODUCED, DISTRIBUTED OR USED AS A BASIS FOR MANUFACTURE WITHOUT PRIOR WRITTEN PERMISSION FROM KEYSTONE ELECTRONICS CORP.



NOTES:

1. MAT'L -

WIRE: 22 AWG, 1061 UL/CSA APPROVED
 .052 [1.32] O.D. PVC INSULATION.
 RED WIRE SOLDERED TO FEMALE CONTACT;
 BLACK WIRE TO MALE CONTACT.

2. BASE:

MAT'L - .062 [1.57] TH'K FIBRE
 COVER:
 MAT'L - .015 [0.38] TH'K FIBRE
 CONTACT:
 MAT'L - STEEL
 FINISH - NICKEL PLATE
 EYELET:
 MAT'L - BRASS
 FINISH - TIN PLATE

PART NO.	'L' DIM.
85-4	4.000 [101.60]
85-6	6.500 [165.10]
85-8	8.000 [203.20]

KEYSTONE ELECTRONICS CORP.			
ASTORIA, N.Y. 11105-2017			
PART NAME			
'9' VOLT BATTERY STRAP			
MATERIAL			
AS NOTED			
FINISH		DRN BY	DATE
AS NOTED		BOONE	5.17.96
		APPD	SCALE
			C/M
TOLERANCES	INCH [MM]	CODE	DWG NO.
DECIMAL	±.010 [±0.25]	2X	85-
ANGULAR	± 1°		
UNLESS OTHERWISE SPECIFIED			

DATE	DESCRIPTION	REV.