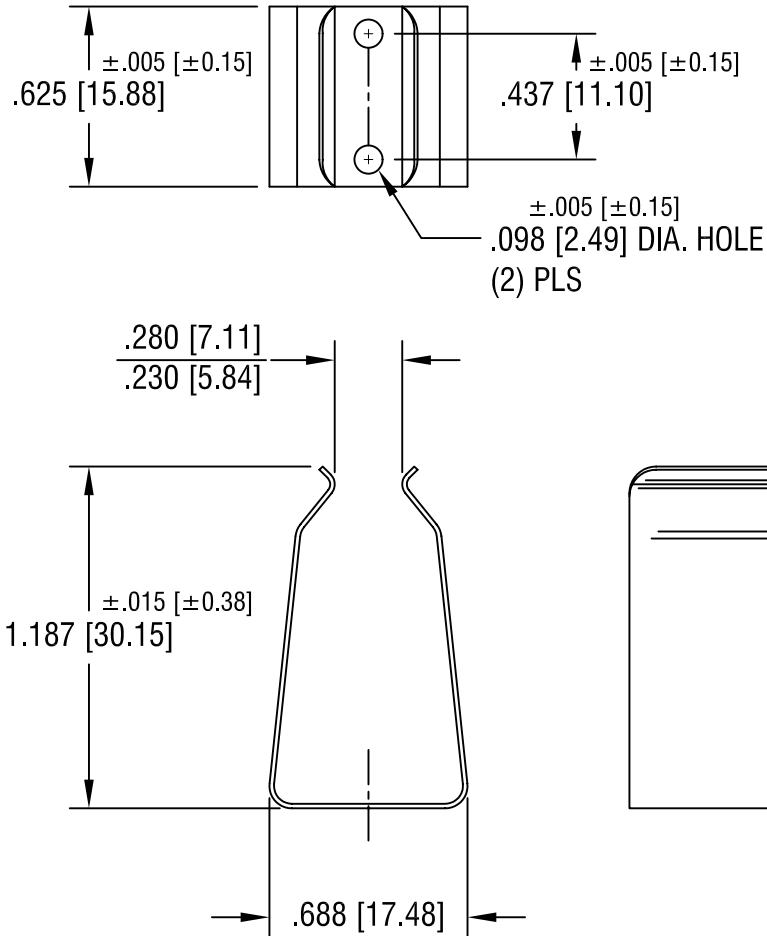


THIS DOCUMENT IS THE PROPERTY OF  
KEYSTONE ELECTRONICS CORP. AND  
SHALL NOT BE REPRODUCED, DISTRIBUTED  
OR USED AS A BASIS FOR MANUFACTURE  
WITHOUT PRIOR WRITTEN PERMISSION  
FROM KEYSTONE ELECTRONICS CORP.



NOTE:

1. HEAT TREAT TO SPRING TEMPER.

KEYSTONE ELECTRONICS CORP.			
ASTORIA, N.Y. 11105-2017			
PART NAME			
'9 VOLT' BATTERY CLIP			
MATERIAL			
.015 [.38] TH'K ANNEALED SPRING STEEL			
FINISH		DRN BY	DATE
NICKEL PLATE		BOONE	10.26.81
		APPD	SCALE
		LN	1.5X
TOLERANCES	INCH	[MM]	CODE
DECIMAL	$\pm .010$	[±0.25]	C
ANGULAR	$\pm 1^\circ$		
UNLESS OTHERWISE SPECIFIED			DWG NO.
			80
4.10.03	CHANGE AS PER ECN 03-032	F	
2.3.03	CHANGE AS PER ECN 03-006	E	
5.9.00	CHANGE AS PER ECN 00-029	D	
DATE	DESCRIPTION	REV.	