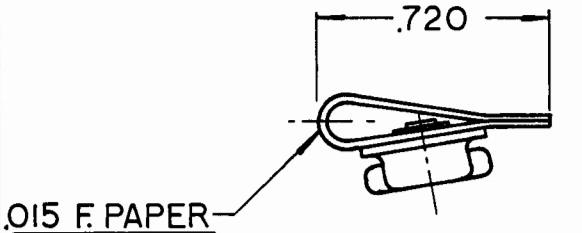


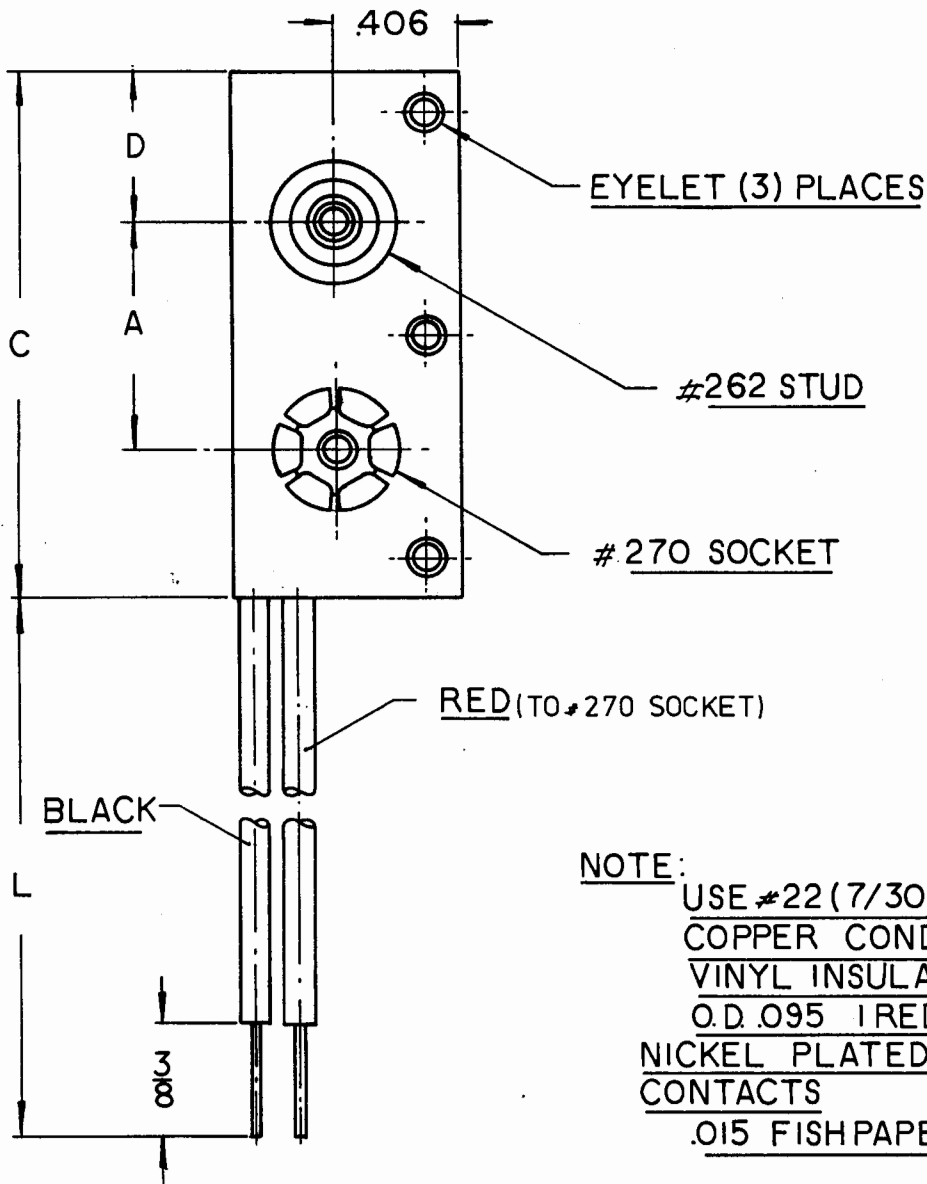
NO.

REV.

P/No	A	C	D	L
73	.750	1.750	.500	9.00
74	.937	1.870	.453	8.50
75	1.375	2.500	.562	8.50
76	1.500	2.615	.557	8.50
77	2.500	3.429	.464	7.00



.015 F. PAPER



NOTE:
USE #22 (7/30) TINNED
COPPER CONDUCTORS
VINYL INSULATION
O.D. .095 1 RED & 1 BLACK
NICKEL PLATED STEEL
CONTACTS
.015 FISH PAPER

KEYSTONE ELECTRONICS CORP.
 NEW YORK, N.Y. 10012

PART NAME **BATTERY STRAP**

MATERIAL **AS NOTED**

FINISH _____ DRAWN BY **LN.** DATE **10.20.81**

APPROVED **AA.** SCALE **—**

TOLERANCES
 FRACTIONAL $\pm .015$
 DECIMAL $\pm .005$ ANGULAR $\pm \frac{1}{2}^\circ$
 UNLESS OTHERWISE NOTED

DWG. NO. **73, 74, 75, 76, 77**

DATE

REVISION

ISSUE