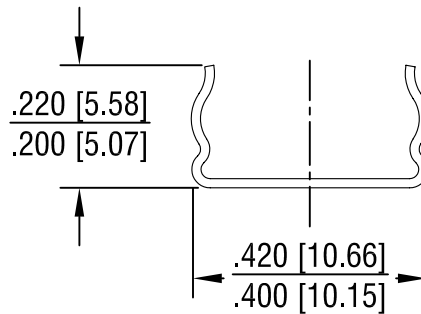
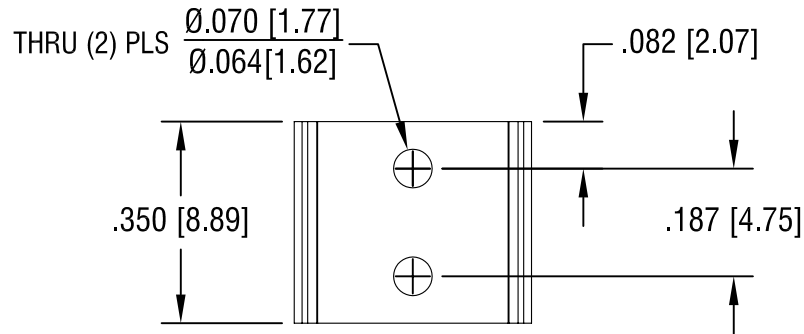
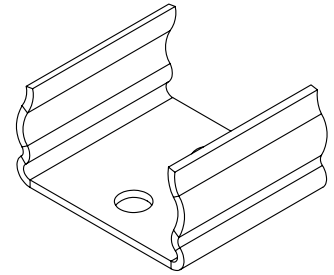


THIS DOCUMENT IS THE PROPERTY OF
KEYSTONE ELECTRONICS CORP. AND
SHALL NOT BE REPRODUCED, DISTRIBUTED
OR USED AS A BASIS FOR MANUFACTURE
WITHOUT PRIOR WRITTEN PERMISSION
FROM KEYSTONE ELECTRONICS CORP.



KEYSTONE ELECTRONICS CORP.

www.keyelco.com • ASTORIA, N.Y. 11105-2017 • Tel (718) 956-8900

PART NAME		CLIP	
MATERIAL		.016 [0.40] SPRING STEEL	
FINISH		DRN BY	DATE
NICKEL PLATE		RM	5.14.91
		APP'D	SCALE
		LN	3X
TOLERANCES	INCH [MM]	CODE	DWG NO.
DECIMAL	± .005 [± 0.15]	C	67
ANGULAR	± 1°		
UNLESS OTHERWISE SPECIFIED			

2.16.00	CHANGE AS PER ECN 00-012	A
DATE	DESCRIPTION	REV.