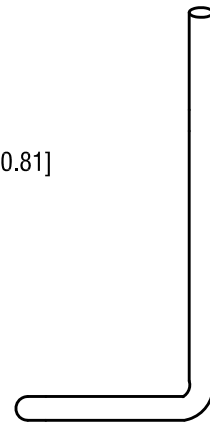
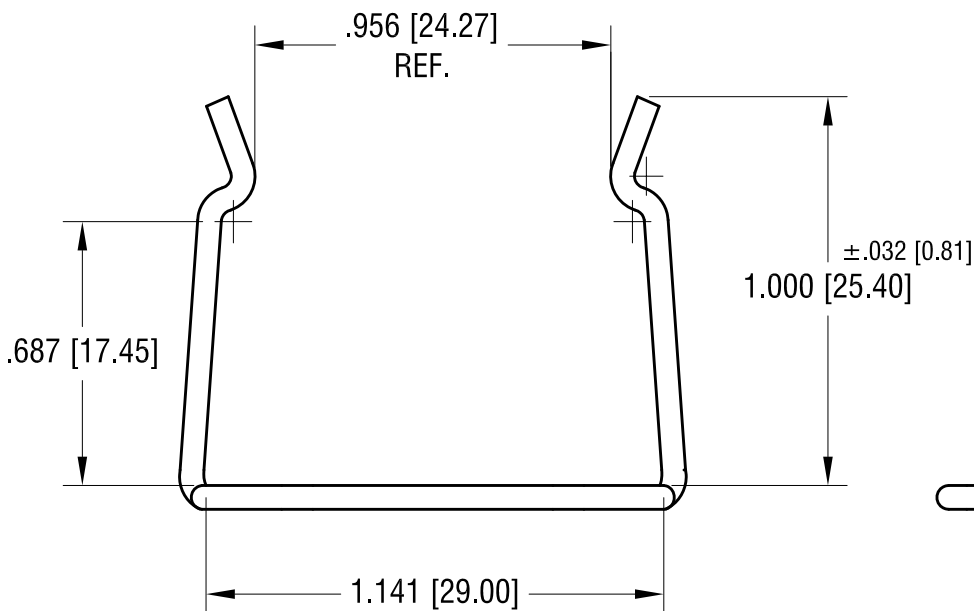
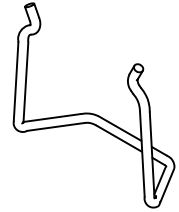
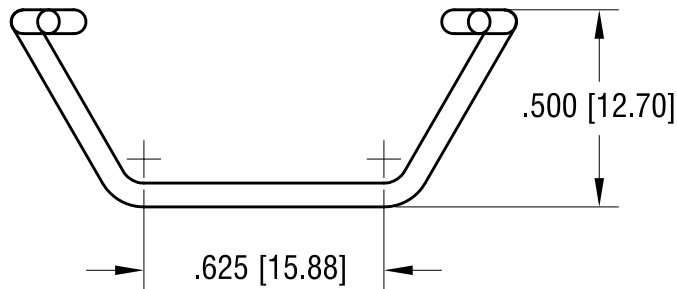


THIS DOCUMENT IS THE PROPERTY OF
KEYSTONE ELECTRONICS CORP. AND
SHALL NOT BE REPRODUCED, DISTRIBUTED
OR USED AS A BASIS FOR MANUFACTURE
WITHOUT PRIOR WRITTEN PERMISSION
FROM KEYSTONE ELECTRONICS CORP.

ACTUAL SIZE



KEYSTONE ELECTRONICS CORP.

www.keyelco.com • ASTORIA, N.Y. 11105-2017 • Tel (718) 956-8900

PART NAME

"D" CELL RETAINER CLIP

MATERIAL

.062 DIA. STAINLESS STEEL, SPRING WIRE

FINISH

NONE

DRN BY

NT

DATE

10.8.81

APP'D

LN

SCALE

2X

TOLERANCES

INCH [MM]
DECIMAL ±.010 [±0.25]

CODE

C

ANGULAR ± 1°

UNLESS OTHERWISE SPECIFIED

DWG NO.

63

10.01.14	CHANGE AS PER ECN 14-108	B
8.22.01	CHANGE AS PER ECN 01-056	A
DATE	DESCRIPTION	REV.