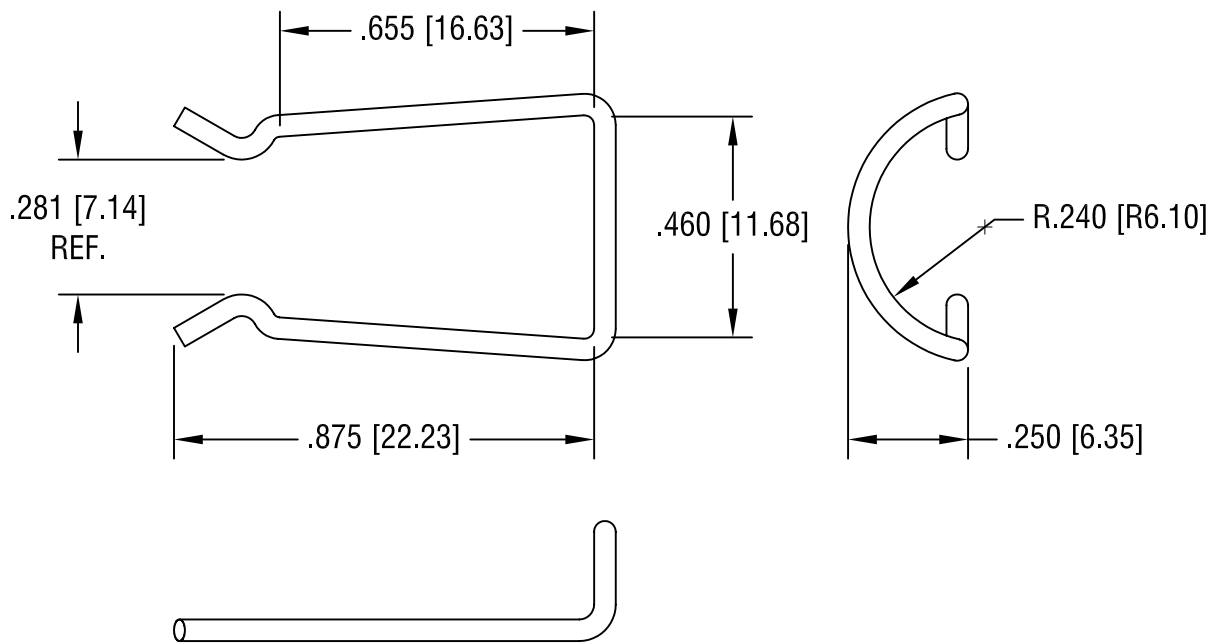


THIS DOCUMENT IS THE PROPERTY OF  
KEYSTONE ELECTRONICS CORP. AND  
SHALL NOT BE REPRODUCED, DISTRIBUTED  
OR USED AS A BASIS FOR MANUFACTURE  
WITHOUT PRIOR WRITTEN PERMISSION  
FROM KEYSTONE ELECTRONICS CORP.



**KEYSTONE ELECTRONICS CORP.**

ASTORIA, N.Y. 11105-2017

PART NAME

BATTERY RETAINER CLIP, 'AA'

MATERIAL

.045 [1.14] DIA. STAINLESS STEEL

FINISH

-

DRN BY

BOONE

DATE

10.7.81

APP'D

SCALE

2.5X

9.26.05

CHANGE AS PER ECN 05-071

A

TOLERANCES

INCH [MM]

CODE

DWG NO.

DECIMAL  $\pm .010$  [ $\pm 0.25$ ]

C

61

ANGULAR  $\pm 1^\circ$   
UNLESS OTHERWISE SPECIFIED

DATE

DESCRIPTION

REV.